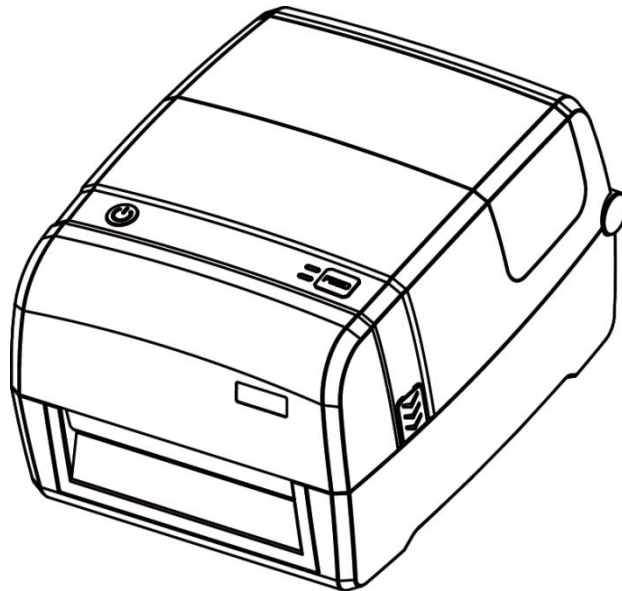




iT4B



User Manual

Xiamen Hanin Electronic Technology Co., Ltd.

ADD: No.96, Rongyuan Rd., Tong'an District, Xiamen, China 361100

WEB: www.idprt.com

Rev.1.1

Contents

Important Safety Instructions	1
Chapter 1 Introduction.....	5
1.1 Packing List.....	5
1.2 Appearance and Components	6
1.3 Dimension	7
Chapter 2 Specifications.....	8
Chapter 3 Installation & Usage	10
3.1 Media Loading.....	10
3.2 Power Connection.....	15
3.3 Peripherals Connection.....	15
3.4 Detection.....	17
3.5 Operation Panel	23
3.6 Basic Function	25
Chapter 4 Interface	27
4.1 USB Interface.....	27
4.2 Ethernet Port.....	27
Chapter 5 Maintenance & Adjustment	28
5.1 Cleaning Media Sensor	28
5.2 Cleaning Thermal Print Head	28
Chapter 6 Printer Utility Tool Instructions	29
6.1 Installation Preparation.....	29
6.2 Usage.....	29
Chapter 7 Seagull Windows Driver Instructions	45
7.1 Introduction	45
7.2 Installation Preparation.....	45
7.3 Installation.....	46
7.4 Usage.....	51
Chapter 8 BarTender Ultralite Instructions	65
8.1 Introduction	65
8.2 Installation Preparation.....	65
8.3 Installation.....	66
8.4 Usage.....	70

■ Statement

This manual content may be altered without permission, and our company reserves the rights to make changes without notice in technology, spare parts, hardware and software of the products. If more information is needed about the products, please contact our company. Without any written permission from our company, any section of this manual is prohibited to be copied or transferred in any form.

■ Copyright

This manual is printed in 2022, the copyright belongs to Xiamen Hanin Electronic Technology Co. Ltd.

Printed in China

1.1 Version

■ Warnings



This must be complied with in order to avoid any damage to the human body and the equipment.



This is showing the important information and tips for the printer operation.



Note: Due to continuous update of our product, the description of printer specification, accessories, design in this manual may be slightly different. Please keep in kind prevail.

Important Safety Instructions

Before using the appliance, please carefully read the following safety regulations in order to prevent any hazard or material damage.

1. Safety warning



Warnings: The print head will become very hot during printing; avoid contact with the print head after printing has finished.



Warnings: Do not touch the printer head and connector in case static damage the printer head.

2. Instructions



Warnings: Violating following instructions can cause serious injury or death.

- 1) Do not plug several products in one multiperture outlet.
 - This can provoke over-heating and a fire.
 - If the plug is wet or dirty, dry or wipe it before usage.
 - If the plug does not fit perfectly with the outlet, do not plug in.
 - Be sure to use only standardized multiperture outlet.
- 2) You must use the supplied adapter.
 - It is dangerous to use other adapters.
- 3) Do not pull the cable to unplug.
 - This can damage the cable, which is the origin of a fire or a breakdown of the printer.
- 4) Do not plug in or unplug with your wet hands.
 - You can be electrocuted.
- 5) Do not bend the cable by force or leave it under any heavy object.
 - A damaged cable can cause a fire.



Note: Violating following instructions may cause slight damage of the appliance.

- 1) If you observe a strange smoke, odour or noise from the printer, unplug it before taking following measures.
 - Switch off the printer and unplug the set from the mains.
 - After the disappearance of the smoke, call your dealer to repair it.
 - 2) Install the printer on the stable surface.
 - If the printer falls, it can be broken and you can hurt yourself.
 - 3) Use the approved accessories only and do not try to disassemble, repair or remodel it by yourself.
 - Call your dealer when you need these services.
 - Do not touch the blade of auto cutter.
 - 4) Do not let water or other foreign objects drop into the printer.
 - If this happened, switch off and unplug the printer before calling your dealer.
 - 5) Do not use the printer when it is out of order. This can cause a fire or an electrocution.
 - Switch off and unplug the printer before calling your dealer.
 - 6) Other considerations:
 - Place the printer on a solid and even base so that it cannot fall.
 - Leave enough space around printer for operation and maintenance.
 - Keep all liquids away from the printer.
 - Do not expose the printer to high temperatures, direct sunlight or dust.
 - Ensure the printer is connected to a socket with the correct mains voltage.
 - Switch off the printer POWER supply when it's not in use for a long time.
 - To ensure the printing quality and reliability, suggest use the same quality or recommend paper supplier.
 - Pls. switch off the POWER supply when connect/disconnect all the ports or it will cause damage to the printer control circuit.
 - Never carry out maintenance or repair work yourself. Always contact a qualified service Technician.
 - Keep this User Manual in a place which is always easily accessible.
-

3. Other Precautions

The copyright for this user manual and various other manuals is property of our company. Any copying or conversion into electronic form and saving of this material without the express written permission is strictly prohibited. Use of the information contained in this manual is not subject to any patent liability. This manual has been prepared with utmost care and attention to detail but may contain certain errors and/or omissions. Our company is not legally liable for any damages resulting from the use of the information in this manual. Our company and its affiliates are not legally liable (United States excluded) for any damages, loss, costs, and/or expenses that result from the breakdown, malfunction, and/or misuse of the product due to violation or neglect of the operation and maintenance information and instructions provided by our company, as well as from the unauthorized alteration, repair, and/or modification of the product by the user and/or third party. We are not legally liable for any damages and/or issues resulting from the use of options and/or parts that are not authentic or authorized products.

4. WEEE (Waste Electrical and Electric Equipment)



This mark shown on the product or its literature indicates that the corresponding item should not be discarded at the end of its working life with other household waste. To prevent possible harm to the environment or human health from uncontrolled waste disposal, please separate marked items from other types of waste and recycle them responsibly to promote the sustained reuse of material resources. Household users should contact either the retailer where they purchased this product, or their local government office for details of where and how they can conduct environmentally safe recycling of such items. Commercial users should contact their suppliers and check the terms and conditions of purchase contracts. This product should not be combined with other commercial waste for disposal.



Caution: This is a Class A product. In a domestic environment this product may cause radio interference in which the user may be required to take adequate measures.

5. FCC WARNING

This device complies with part 15 of the FCC Rules. Operation is subject to the following two conditions: (1) this device may not cause harmful interference, and (2) this device must accept any interference received, including interference that may cause undesired operation.

Any changes or modifications not expressly approved by the party responsible for compliance could void the user's authority to operate the equipment.

NOTE: This equipment has been tested and found to comply with the limits for a Class A digital device, pursuant to part 15 of the FCC Rules. These limits are designed to provide reasonable protection against harmful interference when the equipment is operated in a commercial environment. This equipment generates, uses, and can radiate radio frequency energy and, if not installed and used in accordance with the instruction manual, may cause harmful interference to radio communications. Operation of this equipment in a residential area is likely to cause harmful interference in which case the user will be required to correct the interference at his own expense.

- Reorient or relocate the receiving antenna.
- Increase the separation between the equipment and receiver.
- Connect the equipment into an outlet on a circuit different from that to which the receiver is connected.
- Consult the dealer or an experienced radio/TV technician for help.

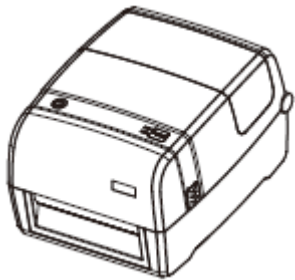
To maintain compliance with FCC's RF Exposure guidelines, This equipment should be installed and operated with minimum distance between 20cm the radiator your body: Use only the supplied antenna.

Chapter 1 Introduction

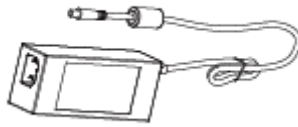
1.1 Packing List

**Note:**

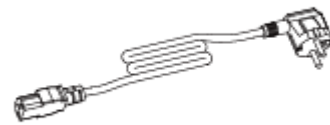
1. Unpack the printer and keep the packing material in case you need to ship the printer in the future.
2. Any damages exist, please contact the local dealer.



Printer



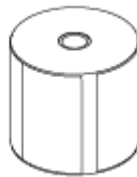
AC Adapter



Power Cord



USB Cable



Label Roll



Ribbon Spindles



Ribbon



Empty Ribbon Core



CD



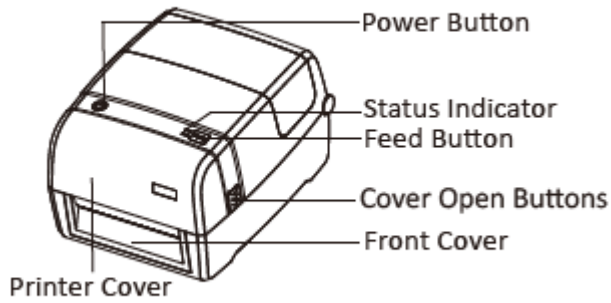
Quick Start Guide



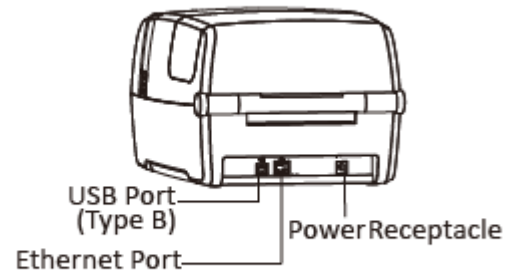
Note: The packing materials are based on the order.

1.2 Appearance and Components

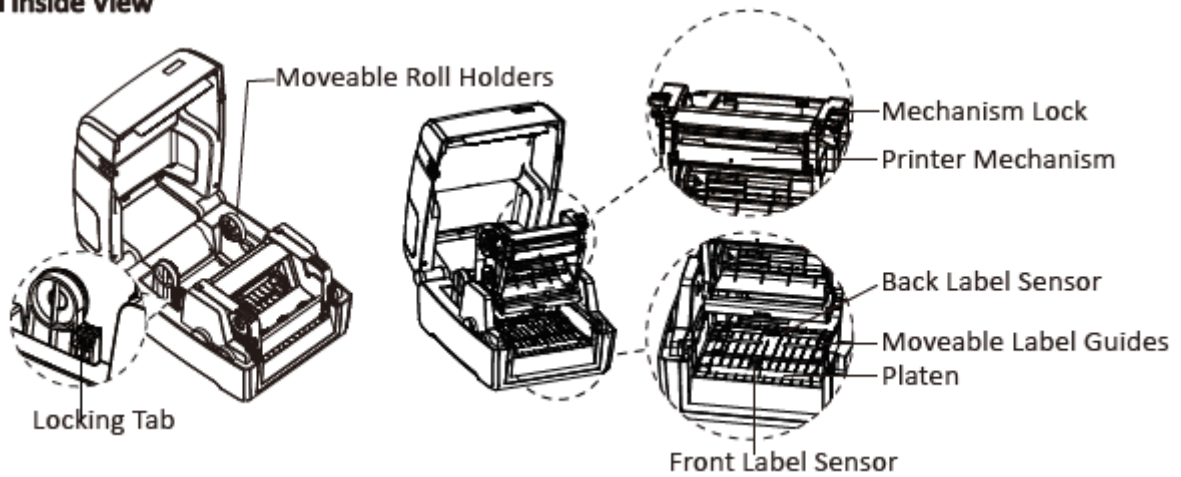
■ Front View



■ Rear View

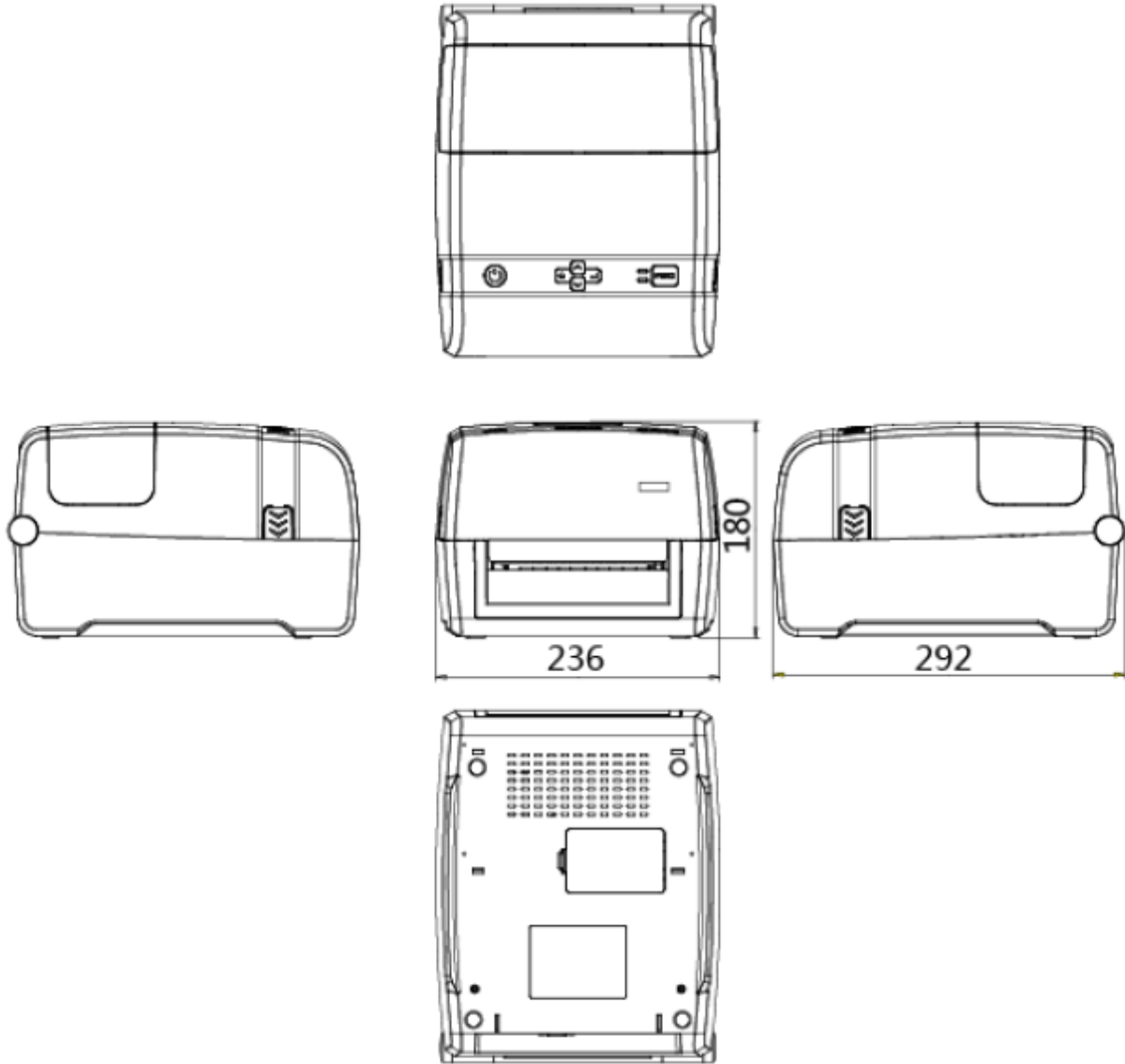


■ Inside View



Note: The views above are for your reference. Ports vary by your choice.

1.3 Dimension



Chapter 2 Specifications

Item		Parameter
Printing	Printing Method	Thermal transfer/Direct thermal
	Resolution	STD 203dpi, OPT 300dpi
	Max. Printing Speed	6 ips (203dpi)
		4 ips (300dpi)
	Max. Printing Width	108 mm(203dpi),106 mm(300dpi)
Max. Printing Length	2,286 mm(203dpi),1,524 mm(300dpi)	
Memory	RAM	128MB
	Flash	256MB
Programming Language		ZPL-II,TSPL
Detection	Sensor	Print Frame Open Detect, Ribbon End Detect, Paper Out Detect, TPH Over Heating Detect, 2 Fixed See-through sensor, Full Range Reflective Detect, Position Detect
Media	Types	Continuous Paper, Gap, Black Mark, Punched Hole Label
	Width	1"(25.4)-4.65"(118 mm), include the liner
	Thickness	0.002"(60um)-0.01"(250um)
	Label Roll Diameter	5"(127 mm) Max
	Core Diameter	0.5"(12.7 mm), 1"(25.4 mm). 1.5"(38 mm)
Ribbon	Type	Wax, Wax/Resin, Resin
	Width	1.18"(30 mm)-4.33"(110 mm)
	Length	984'(300 m)
	Core Diameter	1"(25.4 mm)
Software	Label Design Software	iDPRT Bartender Ultralite
	Driver	Windows 7,8,10, server 2008,2012 CUPS for Linux and MAC OS
Resident Fonts	Bitmap fonts	6, 8, 12, 16, 32, OCR A & B. 90°, 180°, 270° rotatable and 10 times expandable in horizontal and vertical directions
	TTF fonts	Monotype CG Triumvirate™. 0°, 90°, 180°, 270° rotatable

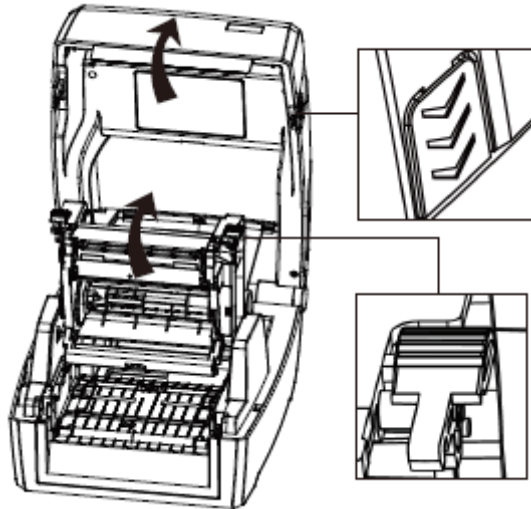
Item		Parameter
Download Fonts	Bitmap fonts	90°, 180°, 270° rotatable and 10 times expandable in horizontal and vertical directions
	Asian fonts	16x16, 24x24. Traditional Chinese, Simplified Chinese, Japanese, Korean, 90°, 180°, 270°, rotatable and 8 times expandable in horizontal and vertical directions
	TTF fonts	90°, 180°, 270° rotatable
Barcodes	1D	Code 39, Code 93, EAN 8/13 (add on 2 & 5), UPC A/E (add on 2 & 5), I 2 of 5, Codabar, Code 128 (subset A,B, C), EAN 128, MSI, Plessey, Telepen, GS1 DataBar, Standard 2 of 5, Industrial 2 of 5, Code 11, Code 49
	2D	PDF417, Data matrix code, QR code, Micro PDF417, Aztec code
Code Pages		850, 852, 437, 860, 863, 865, 857, 861, 862, 855, 866, 737, 851, 869, WINDOWS 1250, 1251, 1252, 1253, 1254, 1255, 1257, UTF-8, UTF-16BE, UTF-16LE, DBCS 932 (JIS), 936(GBK), 949 (Koran), 950(BIG5)
Graphics		Resident graphic file types are BMP and PCX, other graphic formats are converted by the software download
Interfaces	Standard	USB, Ethernet
	Optional	Wi-Fi, Bluetooth
Control Panel		Power switch button, FEED button, 2 indicating LED
LCD Display		Not Support
RTC Function		Not Support
Power Supply		External AC/DC switching power adapter, AC 100V-240V/DC 24V/2.5A/60W, Peak 9A
Environment	Operation	5 to 50°C@ humidity 25% to 85% non-condensing
	Storage	-40 to 60°C@ humidity 10% to 90% non-condensing
Physical Characteristic	Dimension (L*H*W)	308*250*180 mm
	Weight	About 2.9 kg
Options & Accessory		Peeler Module, Cutter Module, External Label Roll Holder
Agency Approval		CE EMC (EN 55022 Class B), FCC EMC (Class A), CCC, RoHS

Chapter 3 Installation & Usage

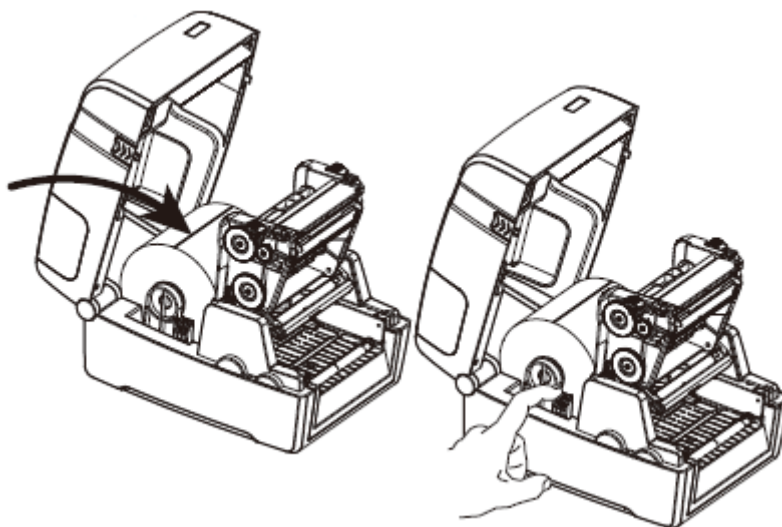
3.1 Media Loading

3.1.1 Loading the Roll

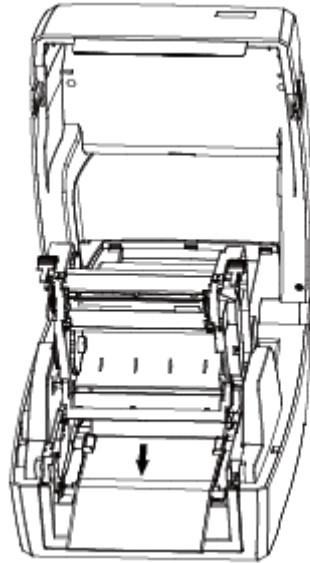
1. Press to open the printer cover and mechanism.



2. Pull the roll holders open and place the roll between them. And press down the locking tab.



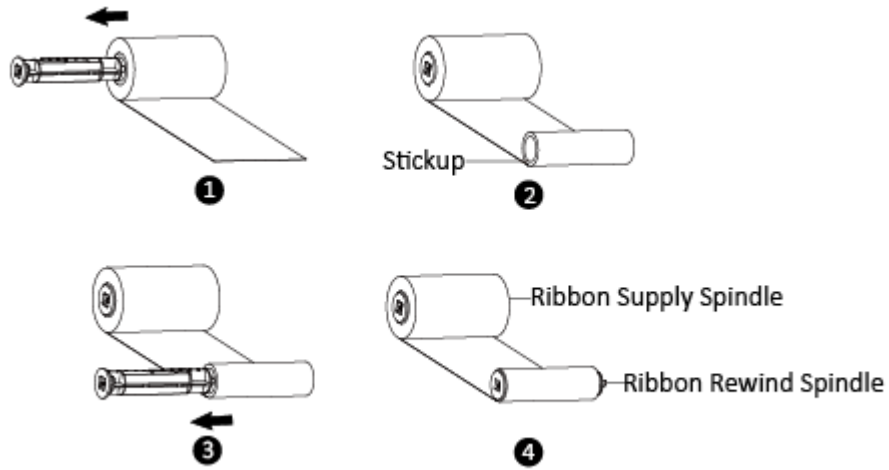
3. Pass the labels through label guides and adjust label guides to label's width.



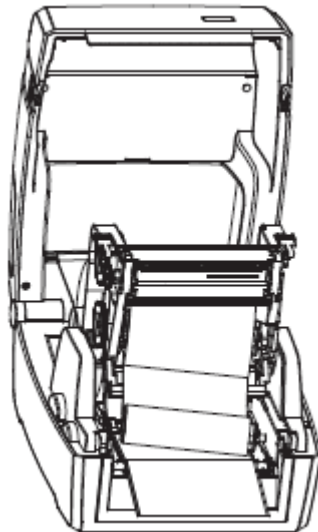
Note: If your printer is under Thermal Line Printing Method, press down the printer cover until it snaps closed. Otherwise, continue the procedure in chapter 3.1.2.

3.1.2 Loading the Ribbon

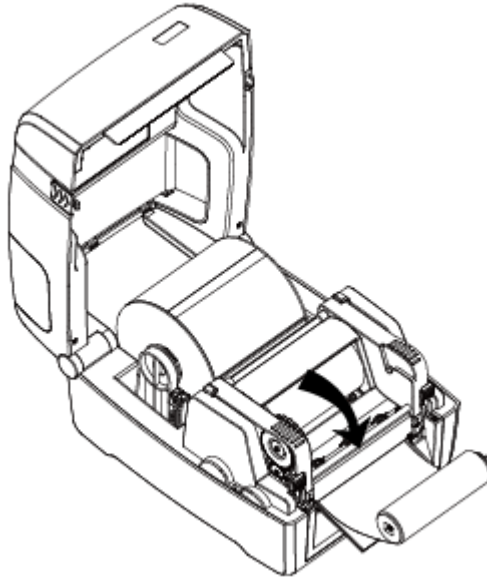
1. Install the ribbon module.



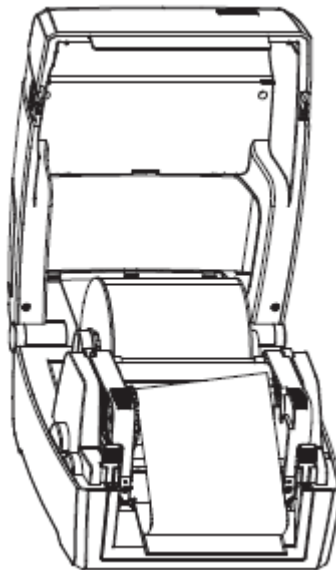
2. Insert the left part of supply spindle and then the right part.



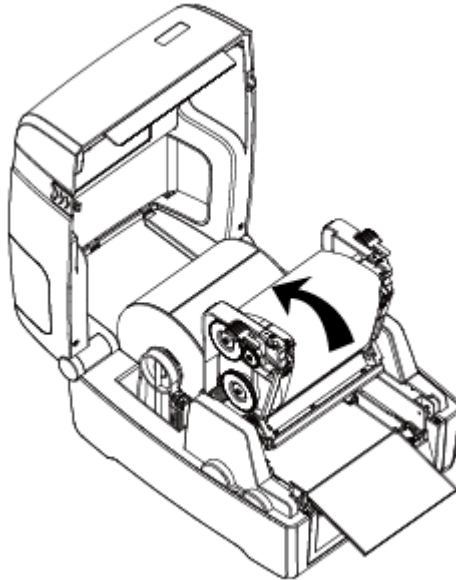
3. Press down the printer mechanism.



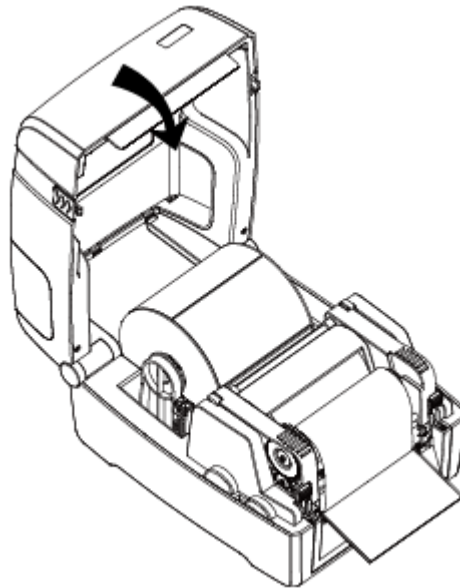
4. Insert the left part of rewind spindle and then the right part.



5. Wind the core 2~3 circles until the ribbon is pulled tightly.

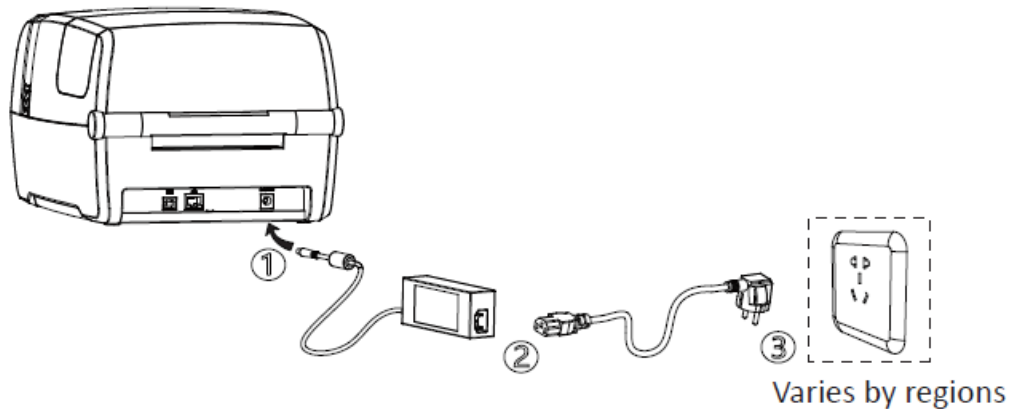


6. Fix the mechanism and close the cover.



3.2 Power Connection

1. Connect the AC adapter to power receptacle.
2. Connect the power cord to AC adapter.
3. Connect the other end of power cord to the outlet.



Caution:

- Use the original power adapter only. Avoid the damage caused by charging improperly.
- Please unplug the printer power cord if it is not in use for a long time.

3.3 Peripherals Connection

3.3.1 Interface Cable Connection

1. The standard for the printer's interface cable shows as follows:

- USB A-Type cable
- USB B-Type cable
- RS-232C cable
- RJ45 cable

2. Based on your own need, follow the instructions to connect the cable.

- 1) Make sure the printer's power is off.
- 2) Please plug in the cables.
 - Insert the USB A-Type cable into the USB (type A) interface.
 - Insert the USB B-Type cable into the USB (type B) interface.
 - Insert the RS-232C cable into the serial interface.
 - Insert the RJ45 cable into the ethernet interface.

3.3.2 Bluetooth Connection

PDA with Bluetooth interface, laptop and other information terminals can drive the printer. Instructions show as follows:

1. Power on the printer.
2. Primary device searches for outer Bluetooth devices.
3. If there are other Bluetooth devices, select the printer's name.
4. Finish pairing.

If you need more detailed information of pairing methods, please refer to the instructions of Bluetooth device.

After pairing, primary devices with virtual Bluetooth interface (smart phone, tablet, pocket PC, palm, notebook) can drive the printer to print labels through virtual Bluetooth interface.



Note: The original code is 0000.

3.4 Detection

When printing paper, the moveable label sensor is used to detect paper. The label sensor moves differently when using various kinds of paper. If user moves the sensor improperly, paper may not be detected, therefore the printer could not print paper. The following instructions tell users how to use label sensor correctly. Please read it carefully.

3.4.1 Continuous Paper

When printing continuous paper (Figure 1), the sensor shall be aimed at the left triangle below (Figure 2), which is the original position.

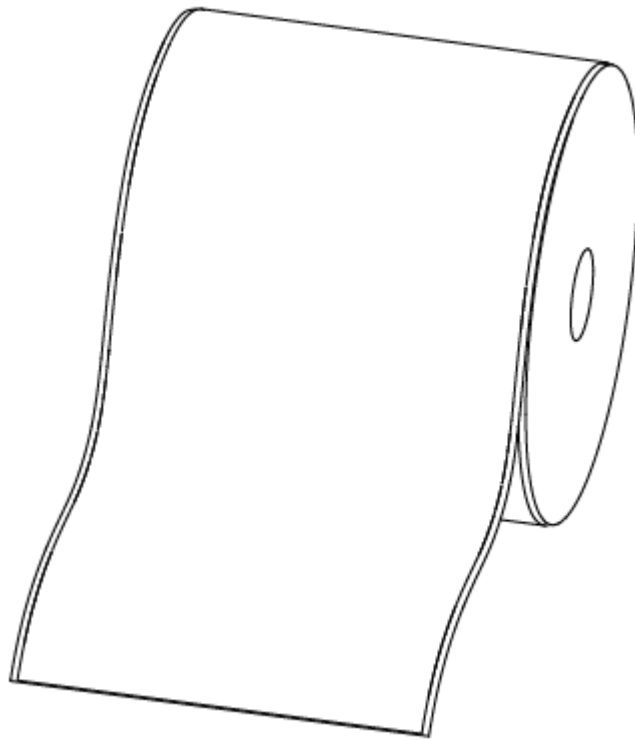


Figure 1 (Continuous Paper)

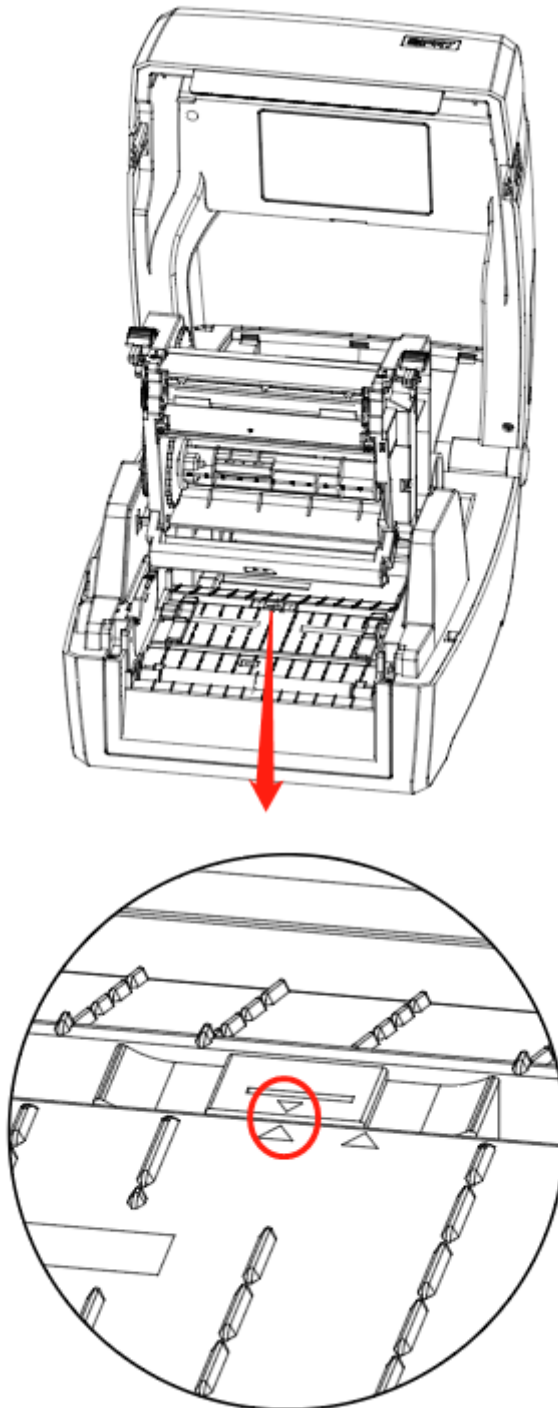


Figure 2 (Left)

3.4.2 Labels

When printing labels (Figure 3) or double-row labels (Figure 4), the sensor shall be aimed at the left triangle below (Figure 5), which is the original position.

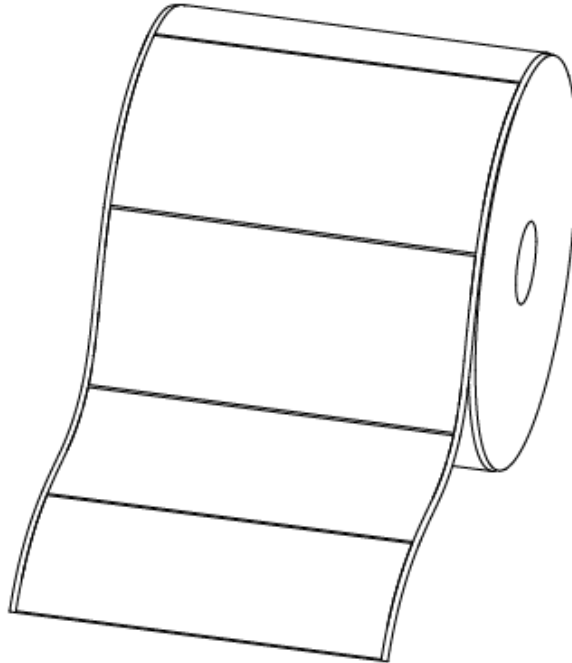


Figure 3 (Labels)

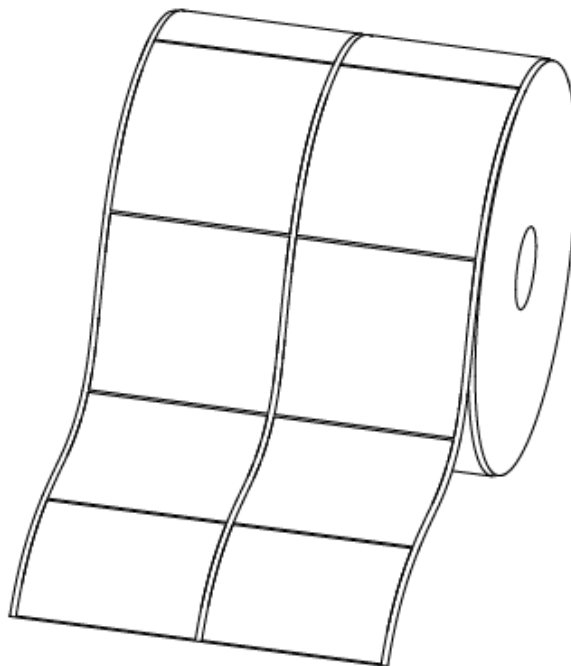


Figure 4 (Double-row Labels)

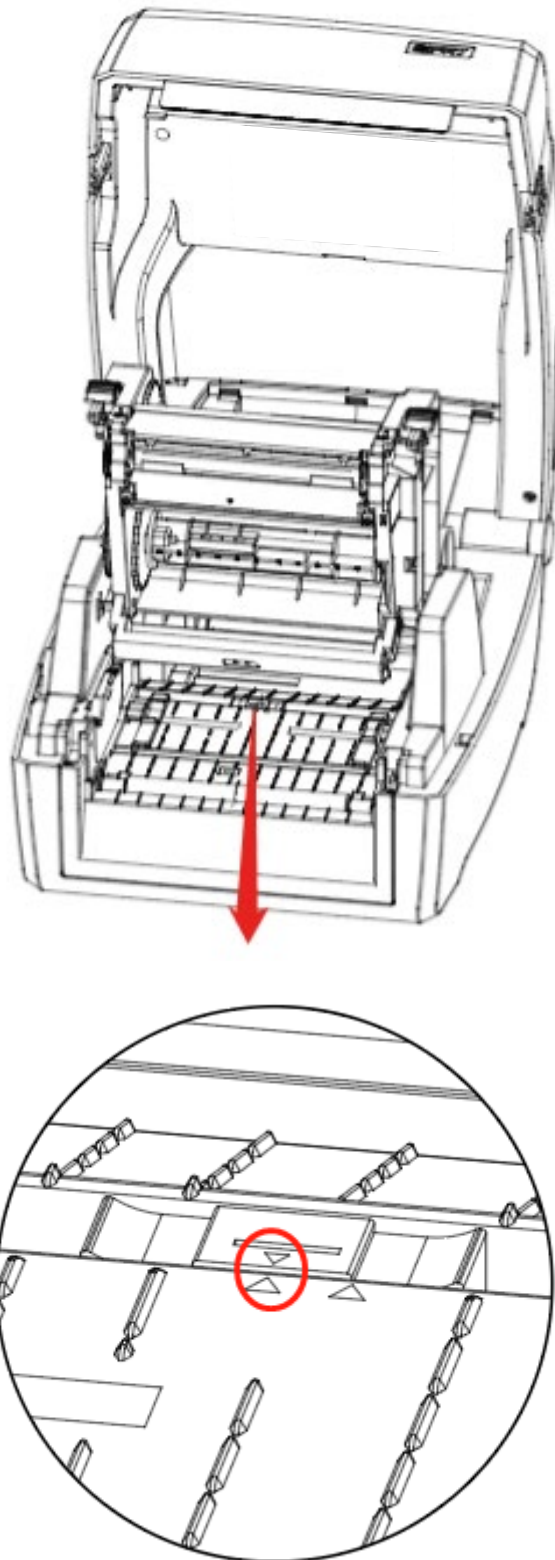


Figure 5 (Left)

3.4.3 Punched Hole Label

When printing punched hole labels, move the sensor until it's aimed at the right triangle below (Figure 6).

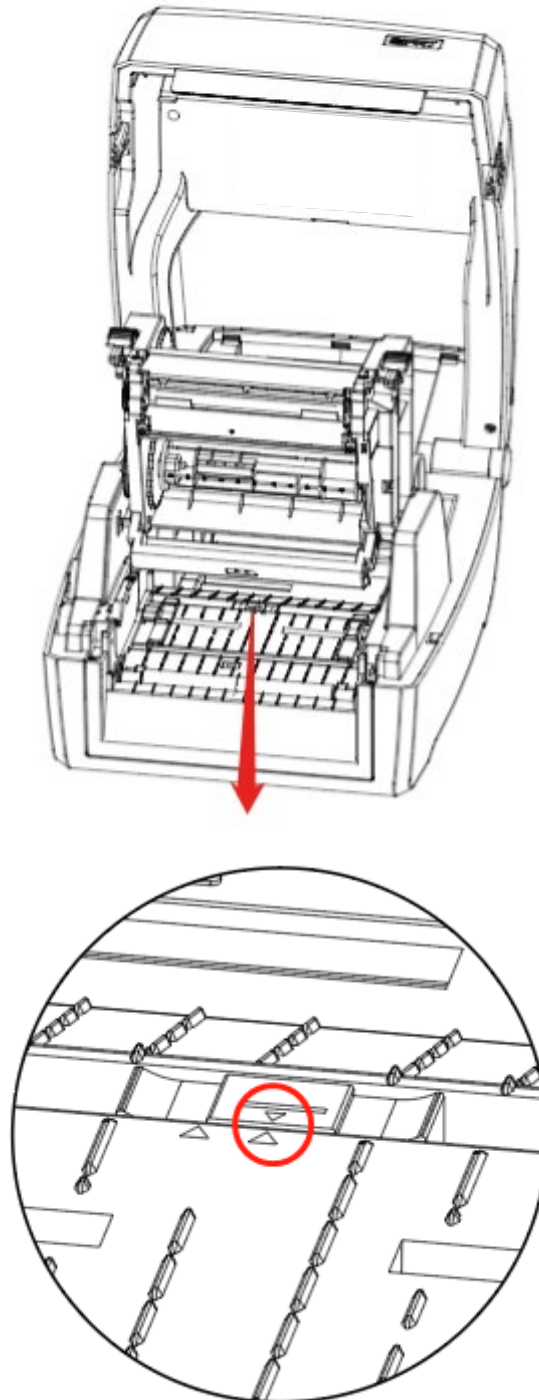


Figure 6 (Right)

3.4.4 Blackmark Paper

When printing blackmark paper (Figure 7), the sensor shall be aimed at the position of black mark (Figure 8).

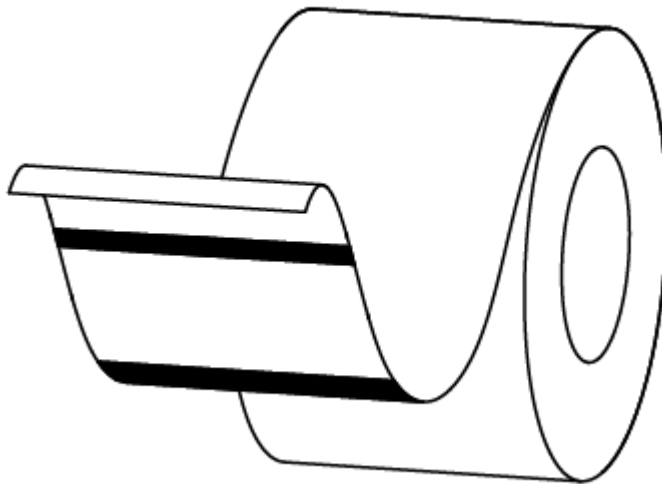


Figure 7 (Blackmark Paper)

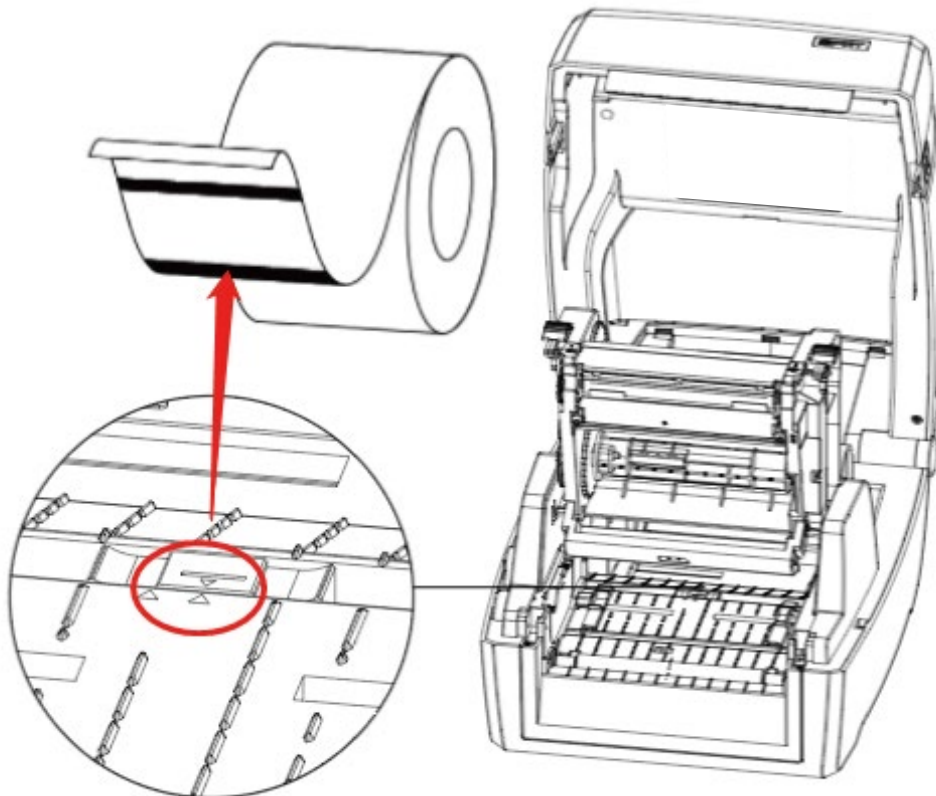


Figure 8 (aimed at blackmark's position)

3.5 Operation Panel

3.5.1 Panel Introduction

The panel indicates the printer's operating status and allows the user to control basic printer operation.

1.Power Button



Much more detailed information is provided in "3.6.1 Power On/ Power Off".

2.Feed Button



Much more detailed information is provided in "3.6.2 FEED Button".

3.5.2 Indicator Status

1. Power Light

Color	Action	Indicating Status
x	x	The printer is off
Green	On	Normal operation
Green	Slow flash	Dump mode

2. Status Light

Color	Action	Indicating Status
x	x	The printer is off/standby/printing
Red	On	Head up/paper out
Red	Quick flash	Paper jam/label's separation
Orange	On	Ribbon out
Orange	Slow flash	Printing pause
Green	On	Label calibration
Green	Slow flash	Wait on demand
Green	Quick flash	Receiving data

3. Paper Container Light

Action	Indicating Status
On	Paper out/Paper jam/label's separation
Off	Head up/error elimination



Note:

Quick flash → 0.2 second / every cycle

Slow flash → 1 second / every cycle

3.6 Basic Function

3.6.1 Power on/ Power off

- When the printer is off, press the power button once, and printer will power on.
- When the printer is on, press the power button for three seconds. After ringing twice, the printer will power off.

3.6.2 FEED Button

- When the printer is ready, press the feed button, and printer will automatically feed a label under "Label Mode". Press the feed button, and the printer will feed the fixed distance under "Continuous Mode".
- When the printer is printing, press the feed button once and it will stop the printing job. Press the feed button for three seconds and it will cancel the printing job.
- When the printer pauses, press the feed button once and it will continue the printing job. Press the feed button for three seconds and it will cancel the printing job.
- When the printer is in dump mode, press the feed button once, then back to the normal printing mode.
- When the indicator status flashes slowly(green), press the feed button once and printer will print a label.

3.6.3 Quick Calibration

Users must carry out the calibration under the conditions below:

- The first time to use the printer since installation;
- The first time to use the printer since sensor cleaning;
- Reuse the printer when it has not been used for a long time;
- Change a new type of media;
- Printer cannot recognize the mark;
- Huge change of the operating environment;

Calibration method:

- Carry out the calibration manually.

When printer is ready, press the FEED button for 3 seconds until the status indicator (Green) flashes twice. Then release the button, and printer will start to do the calibration. When printer does the calibration under Continuous Media Mode, the calibration is invalid.

- Carry out the calibration by printer utility tool.

Please refer to detailed information in "Chapter 6 Printer Utility Tool Instructions".



Note: After the quick calibration, users could open the printer cover to pull back the learned paper in avoid of paper wasting.

3.6.4 Print Self-test Page

The self-test checks the printer's current settings, status and whether the printer has any problems or not.

1. Printing Manually

- 1) Make sure the roll is loaded properly.
- 2) Make sure the top cover of the printer is closed properly. Then turn on the printer.
- 3) When the printer is ready, press the feed button continuously. As soon as the indicator flashes (green) once, loosen the button. Then the printer starts to print the self-test page.

2. Printing by Windows Driver Program

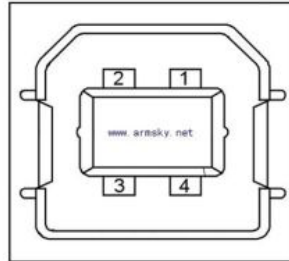
- 1) Install the Windows Driver program.
- 2) Set the "Interface" as the type you use.
- 3) Use the Windows Driver Program to print out the "Self-test page".
- 4) Please refer to "Chapter 7 Seagull Windows Driver Instructions" for more detailed information.

3. Printing by BarTender Ultralite Program

- 1) Install the BarTender Ultralite program.
- 2) Edit a new label and print it.
- 3) Please refer to "Chapter 8 BarTender Ultralite Instructions" for more detailed information.

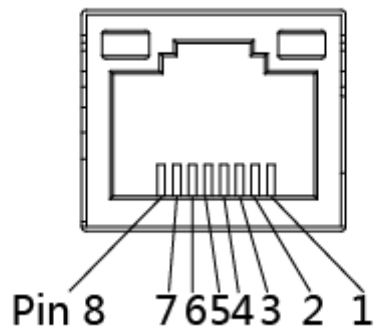
Chapter 4 Interface

4.1 USB Interface



PIN	SIGNAL NAME
1	VBUS
2	D-
3	D+
4	GND

4.2 Ethernet Port



PIN	SIGNAL NAME
1	TX+
2	TX-
3	RX+
4	-
5	-
6	RX-
7	-
8	-

Chapter 5 Maintenance & Adjustment

Adhesives and coatings of the media can transfer to the printer parts over time along the media path including the thermal print head and media sensor. This build-up can accumulate dust and debris. Failure to clean the print head, media path, and media sensor could result in inadvertent loss of labels, label jams and possible damage to the printer.

**Note:**

- Make sure to turn off the printer prior to cleaning.
- As the print head gets hot during printing, if intending to clean the print head, turn the printer off and wait approximately 2~3 minute before commencement.
- When cleaning the print head, take care not to touch the heated portion of the print head. Print Head is susceptible to damage from static electricity, etc. So it is strongly recommended to wear hand gloves during cleaning progress.
- Take care not to allow the print head become scratched and/or damaged in any way.

5.1 Cleaning Media Sensor

Debris or dirt on the paper sensor can cause a miss-read or unstable detection of the label gap. Clean with a cotton bud dampened with alcohol.

5.2 Cleaning Thermal Print Head

Thermal Paper stock on the print head, which degrades print quality. Clean the print head with methanol or isopropyl alcohol and a cotton bud. Do not touch the heating elements with your fingers.

- 1) Open the Printer Cover and then use the cleaning pen to clean the head in the direction from the center of the head to two sides.
- 2) After cleaning the head, do not use the printer until the alcohol used for cleaning evaporates completely (1~2 min) and the printer has completely dried.
- 3) Perform the cleaning process each time the paper roll is replaced to prevent print quality deterioration.
- 4) After cleaning the parts, do not use the printer until the alcohol evaporates completely (1~2 min) and the printer has completely dried.

**Note: Clean the parts when print's quality or label detection degrades.**

Chapter 6 Printer Utility Tool Instructions

6.1 Installation Preparation

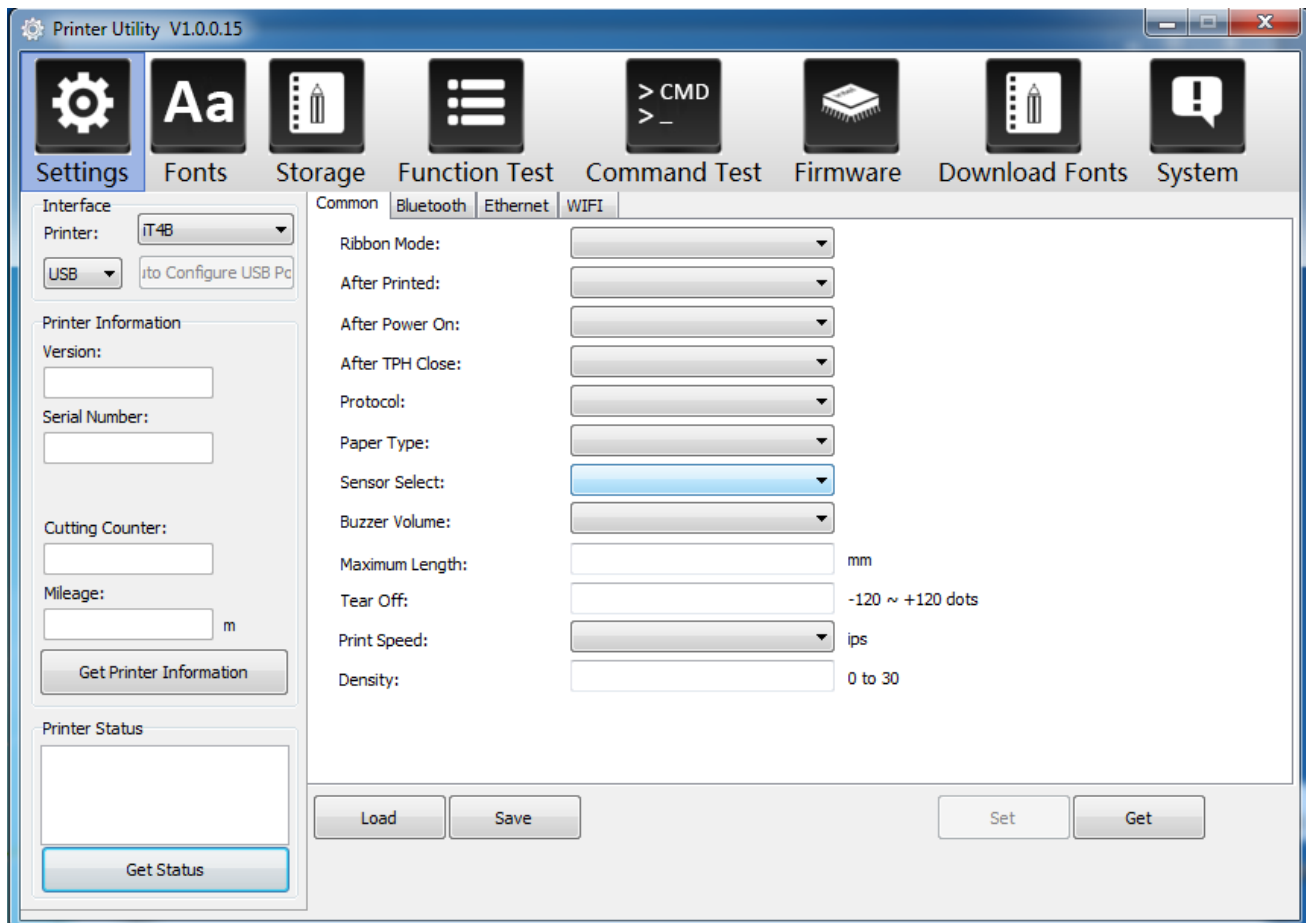
Download application program in CD. E.g.: iDPRTUtility.exe

6.2 Usage



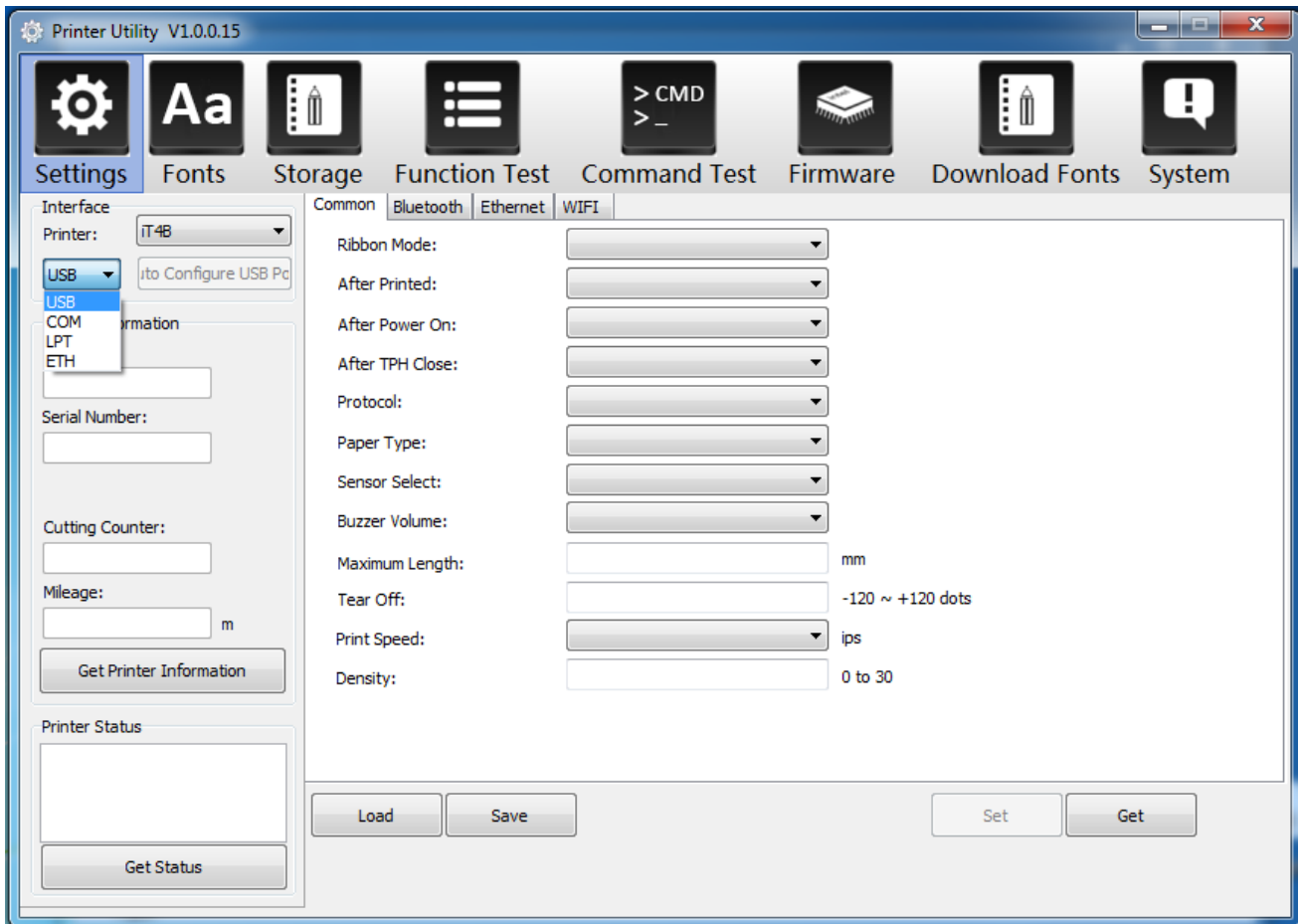
Note: The screen may vary slightly by different operating systems and models. Take printer iT4B as example.

1. Install "iDPRTUtility.exe", then open it.

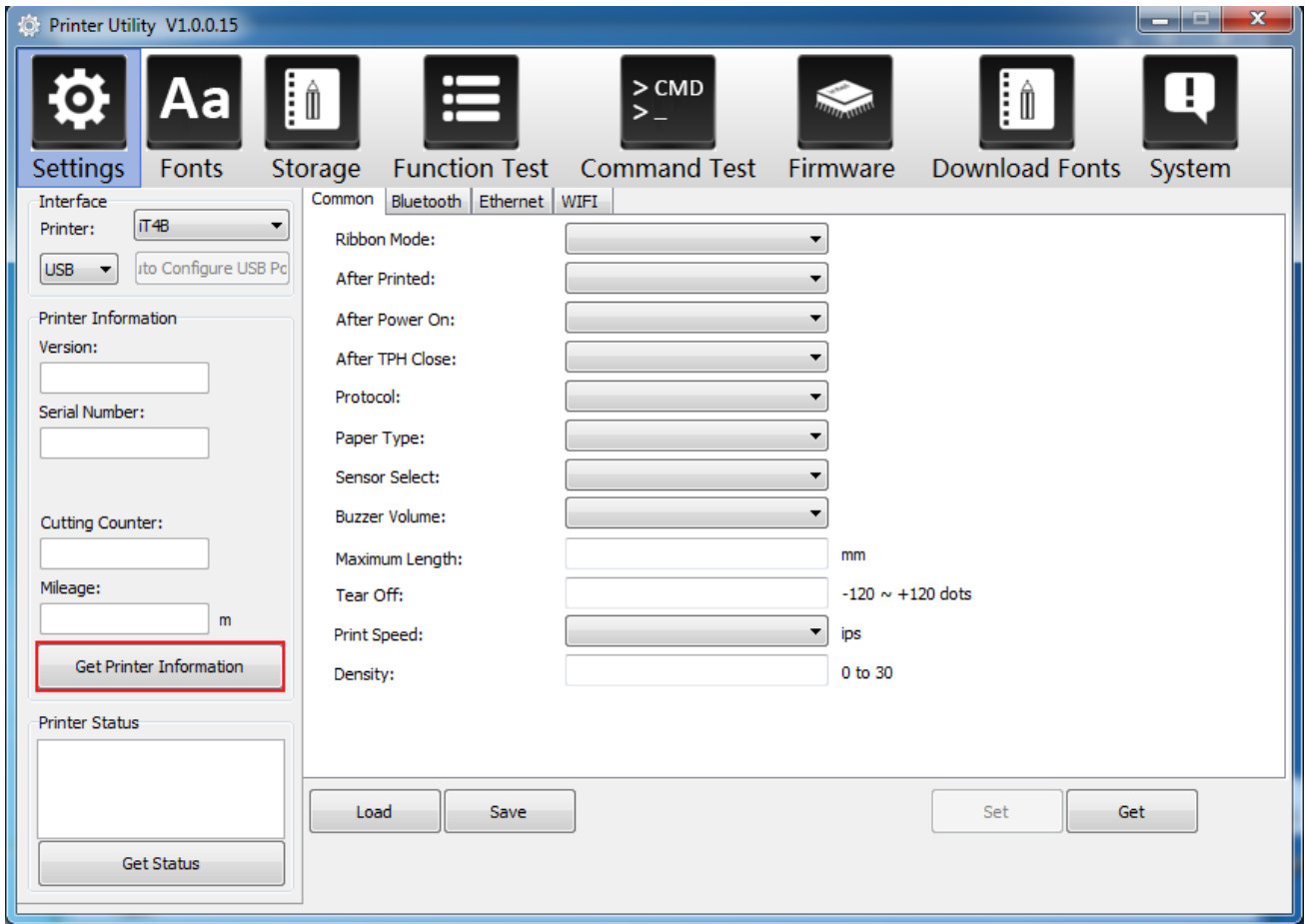


2. Click "Settings".

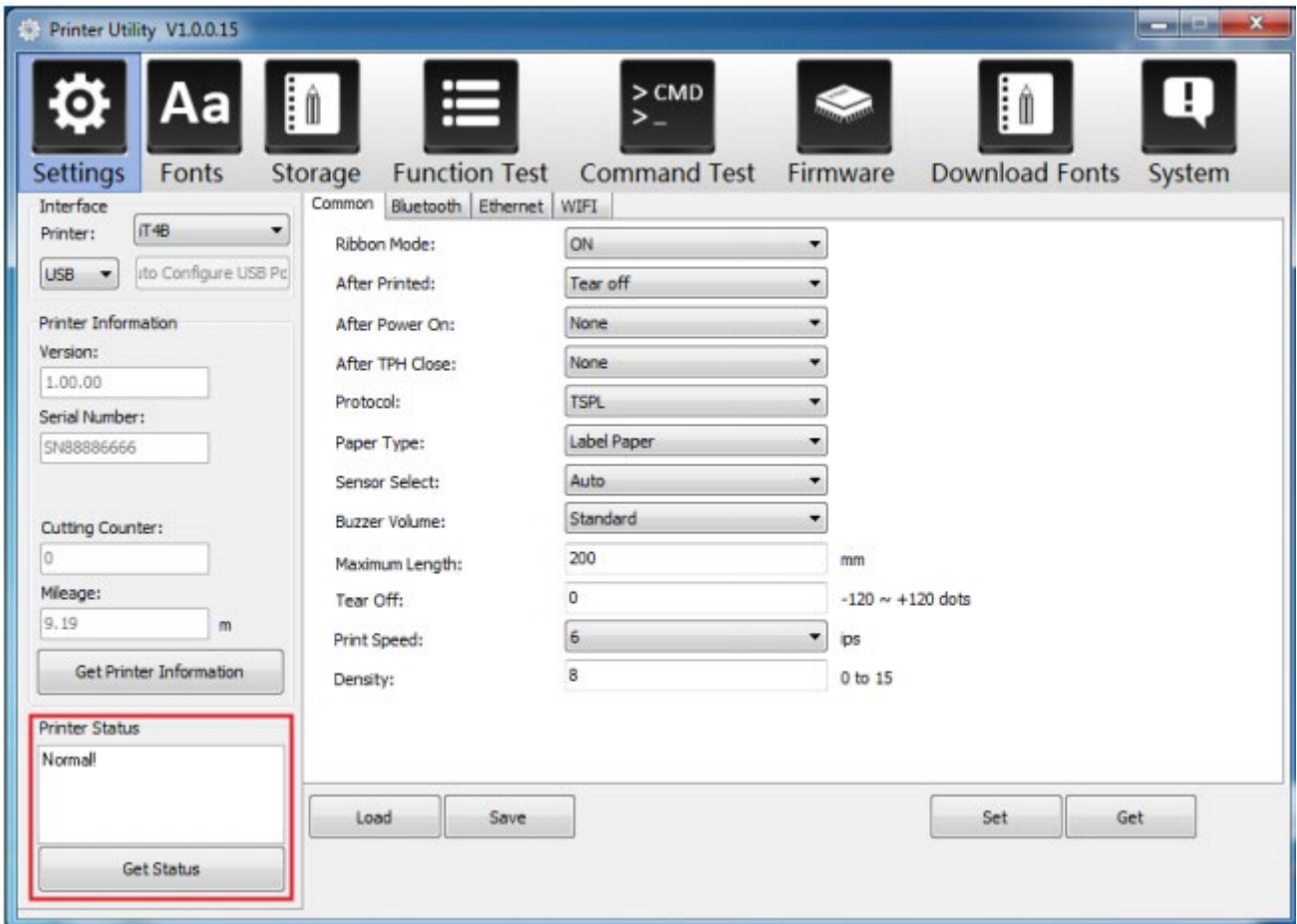
(1) Set up the interface needed. (range: USB, COM, LPT, ETH)



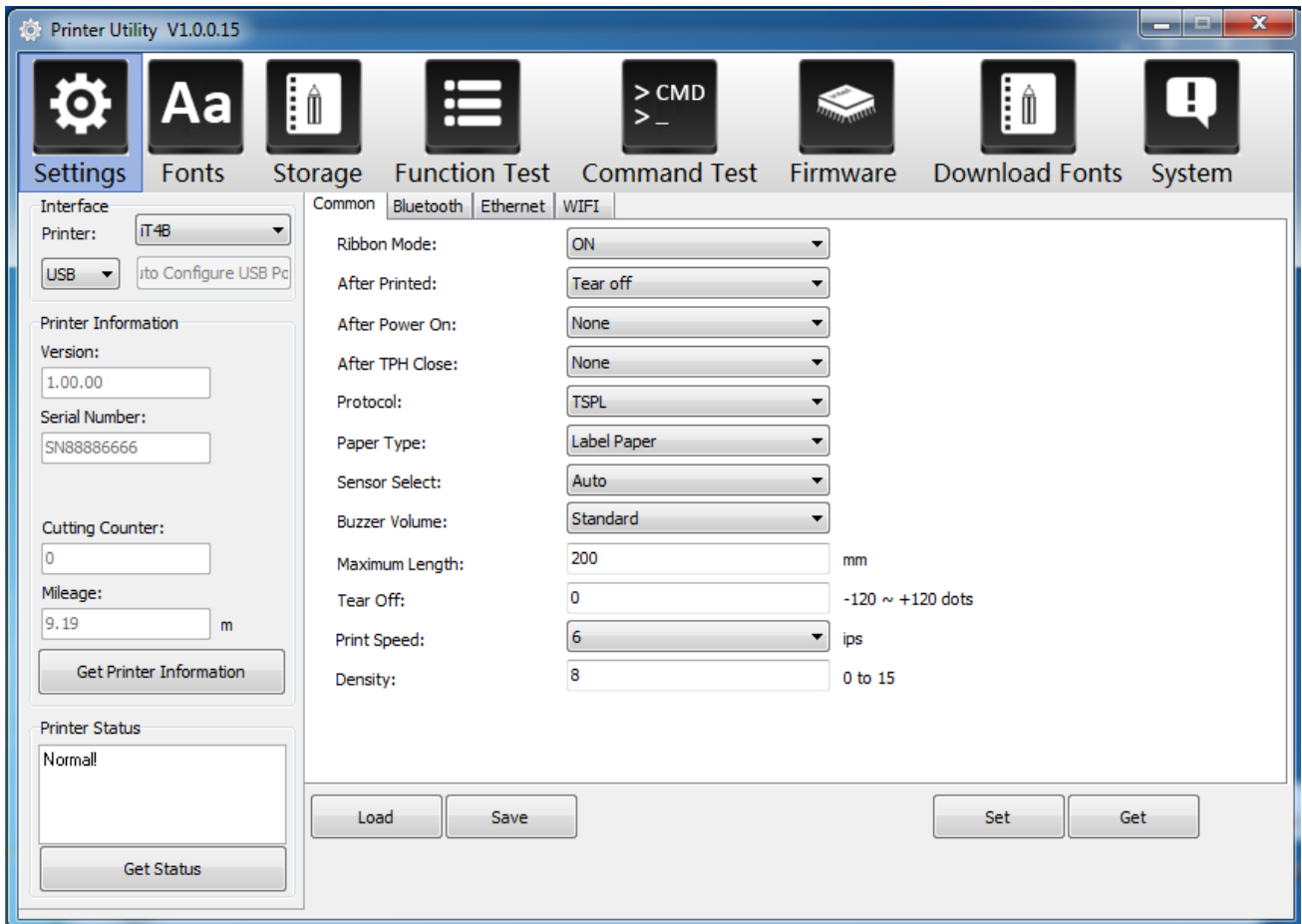
(2) Click “Get Printer Information”, and printer information will show in the above.



(3) Click “Get Status”, and printer status will show in the above.



(4) Click “Common”. In this menu, user can set up the protocol, media sensor, speed, density and so on.



(5) Click “Bluetooth”, then set up the Bluetooth name and password. Click “Get” to gain the values of Mac address.

Common	Bluetooth	Ethernet	WIFI								
Bluetooth Name:	<input type="text" value="it4b"/>	(<=16 characters)									
Password:	<input type="text" value="5555"/>	(4 characters)									
Mac address:	<input type="text" value="00"/>	:	<input type="text" value="00"/>	:	<input type="text" value="00"/>	:	<input type="text" value="00"/>	:	<input type="text" value="00"/>	:	<input type="text" value="00"/>
Simple Pairing	<input type="text" value="ON"/>										

<input type="button" value="Load"/>	<input type="button" value="Save"/>	<input type="button" value="Set"/>	<input type="button" value="Get"/>
-------------------------------------	-------------------------------------	------------------------------------	------------------------------------

(6) Click "Ethernet", then click "Get" to gain the relevant values.

Common Bluetooth Ethernet **WIFI**

DHCP: ON

IP Address: 10 0 3 134

Subnet Mask: 255 255 255 0

Default Gateway: 10 0 3 1

Mac address: 02 : 21 : 00 : EA : 18 : F0

Load Save Set Get

(7) Click "WIFI", then set up the name, password and so on.

Common | Bluetooth | Ethernet | **WIFI**

SSID:

Password:

Work Mode:

DHCP:

IP Address:

Subnet Mask:

Default Gateway:

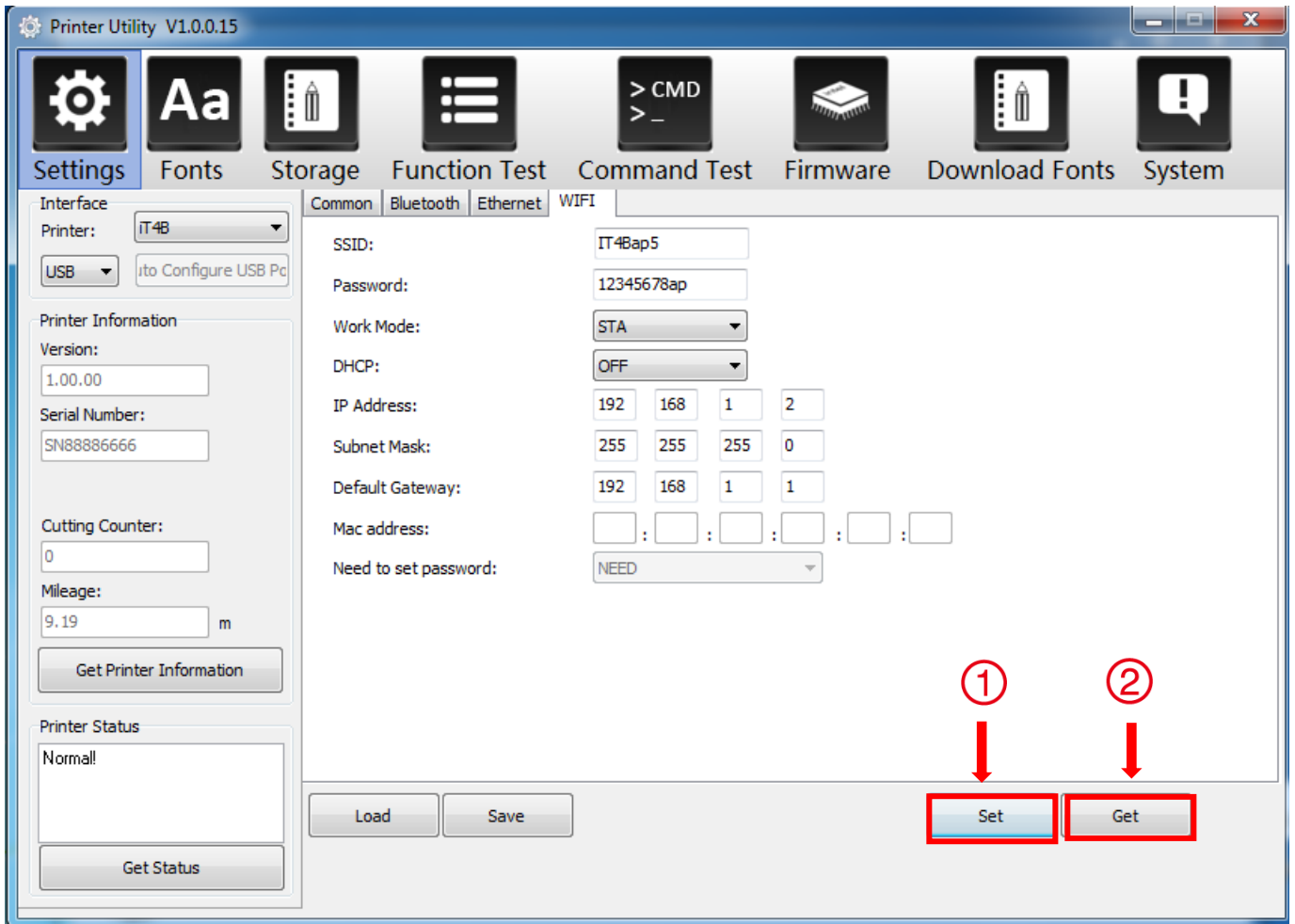
Mac address: : : : : :

Need to set password:



Note:

- ① Finishing all the settings, user can click “Set” to save the values changed.
- ② Click “Get”, and user will get the default values.



3. Click "Storage" to print image.

The screenshot shows a 'Download File' window with the following elements:

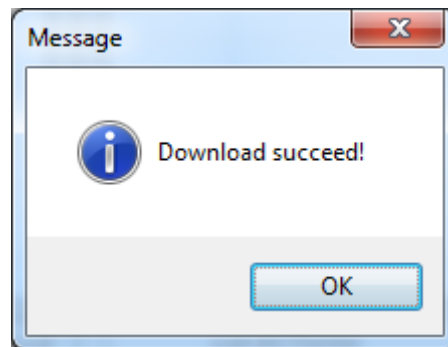
- File Type:** Graphics (dropdown menu)
- Magnification:** 1.0 (dropdown menu)
- File Name:** [Empty text box] [Browse button (...)] [Download button]
- Storage Information:** Free space: 119,401,472B; Uses space 286,790,656B.
- Graphics Panel:**
 - List All Graphics
 - Print Selected Graphic
 - Delete Selected Graphic
 - Delete All Graphics
- Label Form Panel:**
 - List All Forms
 - Print Selected Form
 - Delete Selected Form
 - Delete All Forms
- Auto Label Form Panel:**
 - List Auto Form
 - Print Auto Form
 - Delete Auto Form
 - Enable Auto Form

(1) Click "File name" to select the image.

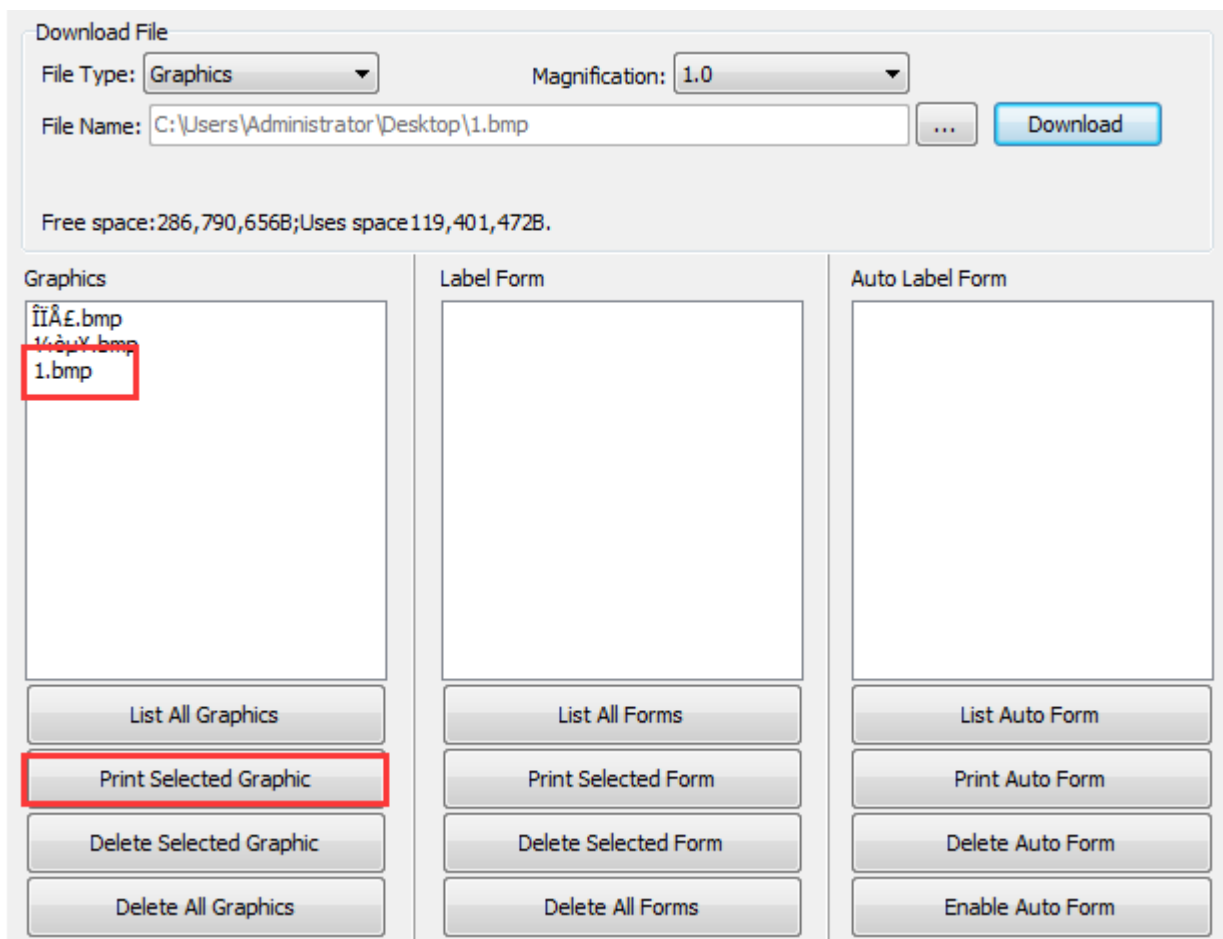
This is a close-up of the 'Download File' window, focusing on the file selection process. The 'File Name' text box is empty, and the adjacent browse button (three dots) is highlighted with a red square. The 'Download' button is also visible to the right.

Note: The file name must be in English or number, and the filename length must be less than 32.

(2) Click “Download”.



(3) Select the downloaded graphic, and then click “print selected graphic” to print the picture.



(4) You can set a magnification of the graphic as needed.

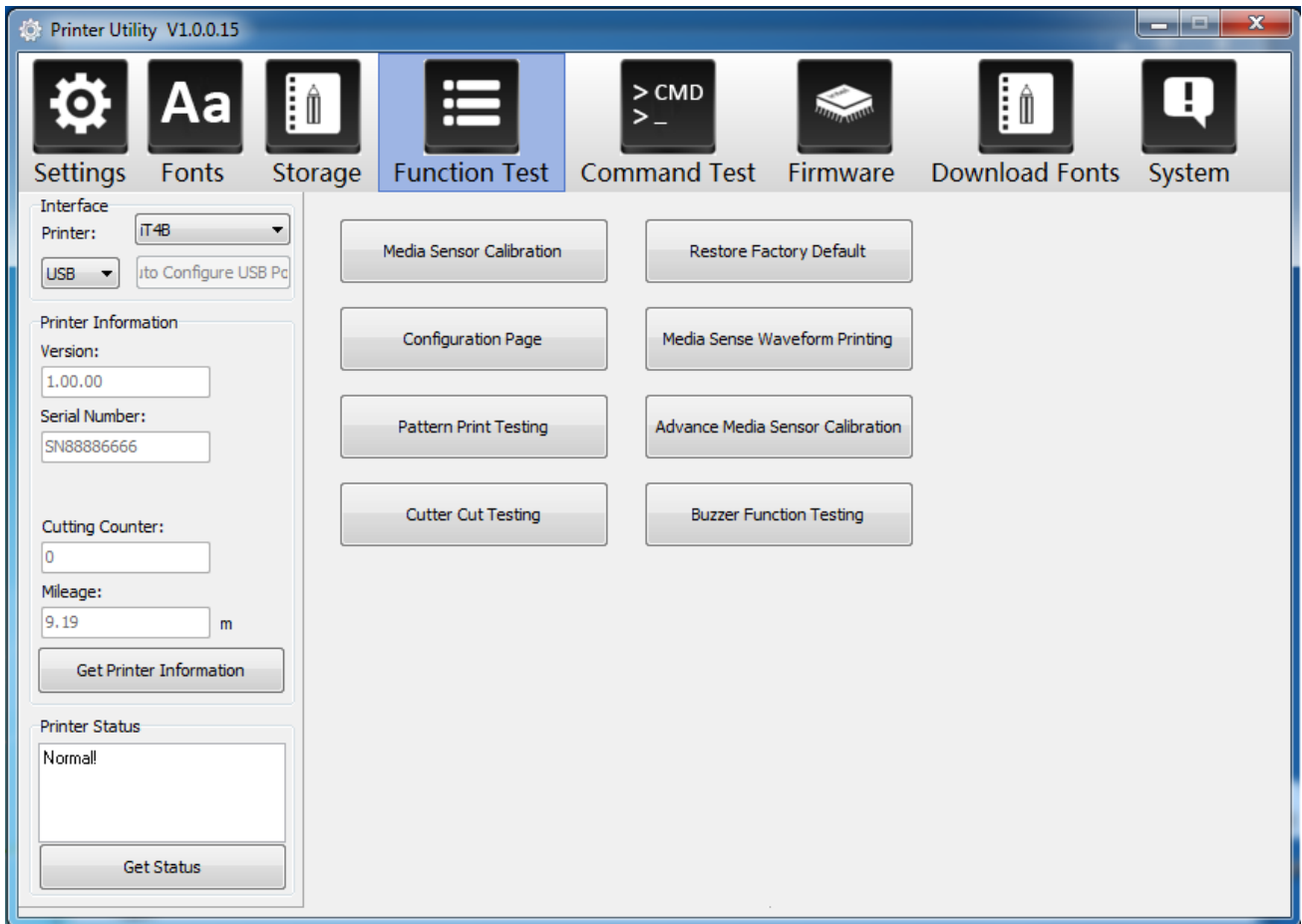
The screenshot shows a 'Download File' dialog box with the following elements:

- File Type:** Graphics
- Magnification:** 1.0 (dropdown menu is open, showing options: 1.0, 1.5, 2.0, 2.5, 3.0)
- File Name:** C:\Users\Administrator\Desktop\1.bmp
- Buttons:** ... (browse), Download
- Free space:** 286,790,656B; Uses space 119,401,472B.

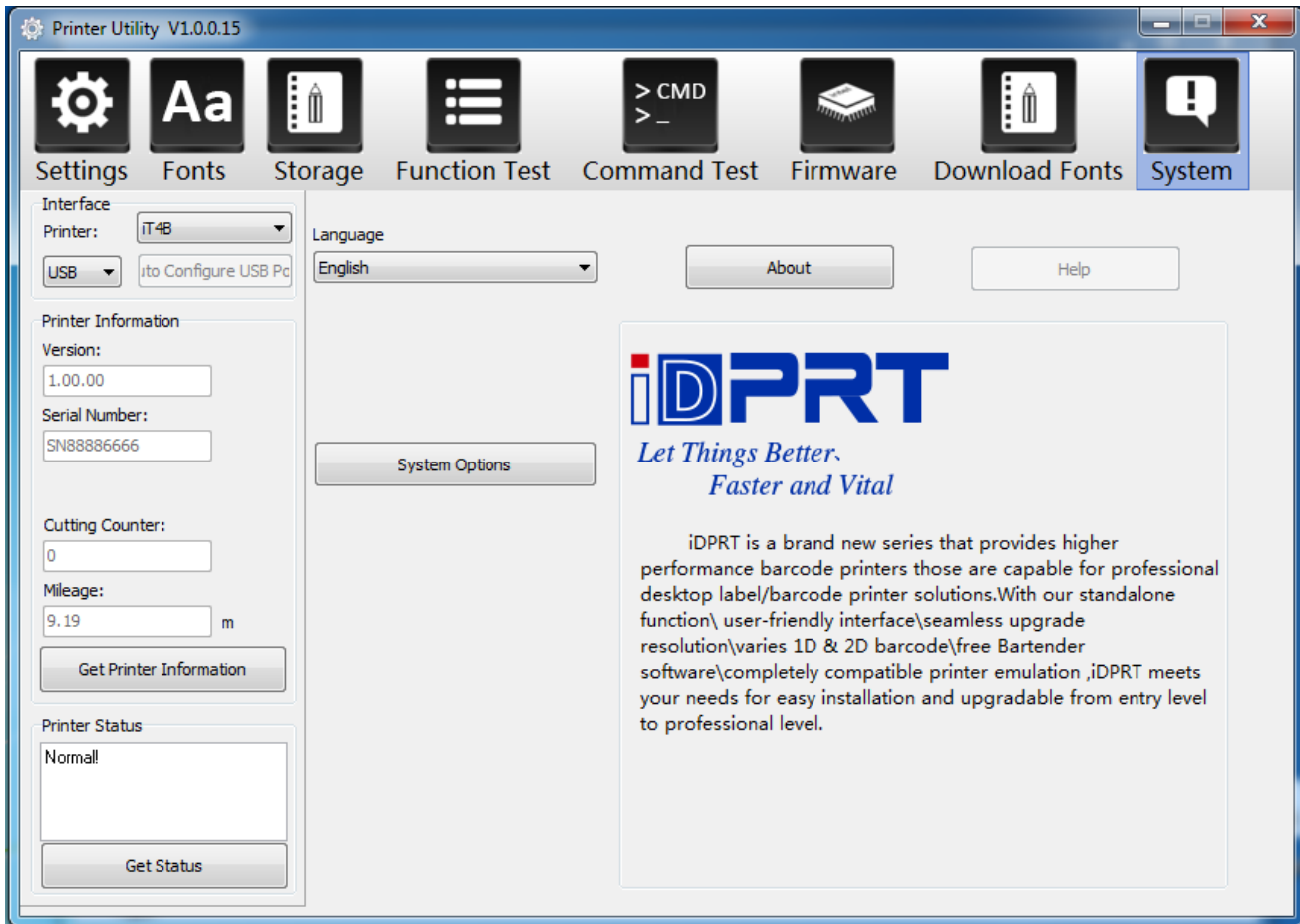
Below the dialog box, there are three columns of controls:

Graphics	Label Form	Auto Label Form
IIÅ€.bmp ¼ôµ¥.bmp 1.bmp		
List All Graphics	List All Forms	List Auto Form
Print Selected Graphic	Print Selected Form	Print Auto Form
Delete Selected Graphic	Delete Selected Form	Delete Auto Form
Delete All Graphics	Delete All Forms	Enable Auto Form

5. Click "Function Test". User can carry the followings such as sensor calibration, pattern print testing and so on.



6. Click "System". Click "language" and choose the language of printer utility.



Chapter 7 Seagull Windows Driver Instructions

7.1 Introduction

The following operating systems are supported:

- Windows Vista, Windows 7, Windows 8 and 8.1, and Windows 10.
- Windows Server 2008, 2008 R2, 2012, 2012 R2, and 2016.
- 32-bit and 64-bit (x64) editions.

7.2 Installation Preparation

Download Seagull Windows Driver application program in CD.

7.3 Installation



Note:

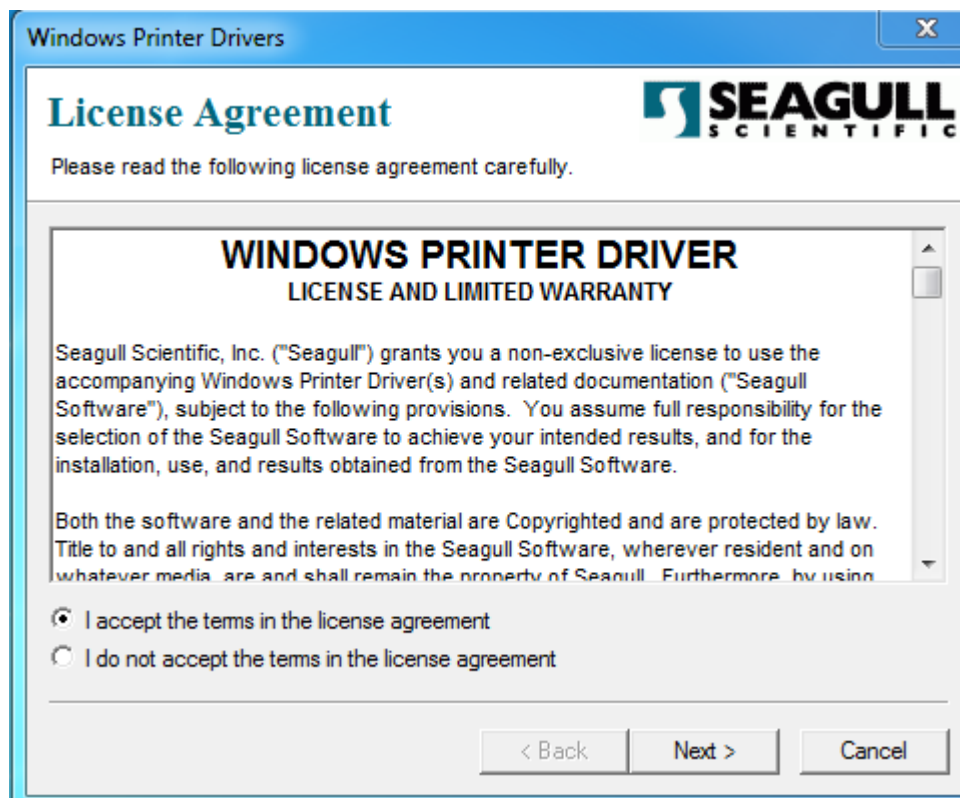
- Under different operating systems, the screen may be slightly different. Take Windows 10 as example.
- Take printer iT4B as example.
- To avoid the prevention, recommend to close the security software before installation.

1. Select one interface to connect your printer to computer.

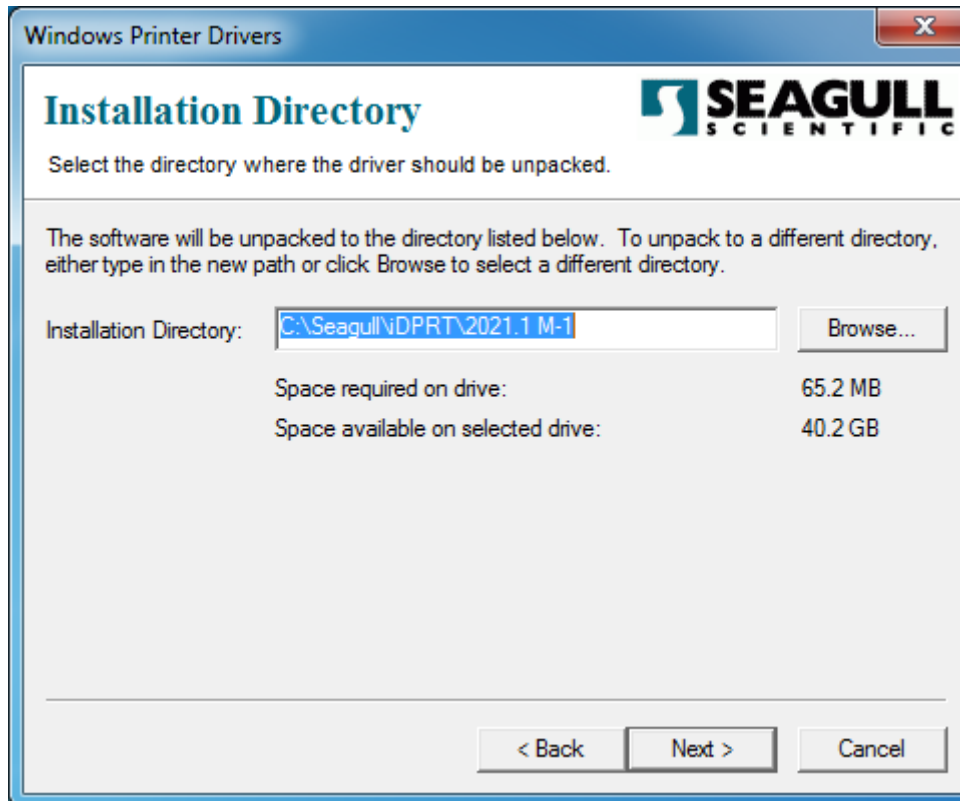
2. Turn on the printer and check if it is connected to computer successfully.

3. Double click Seagull Windows Driver .

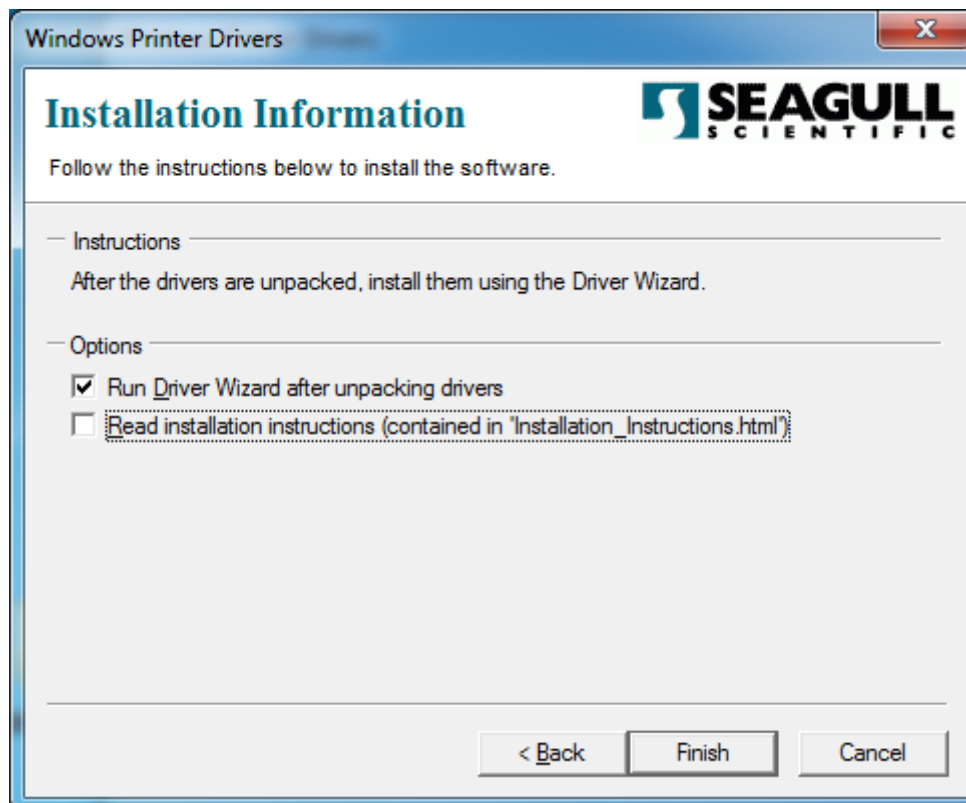
4. Read and agree the license agreement. Then click "Next".



5. Choose the installation directory, then click "Next".



6. Click "Finish".

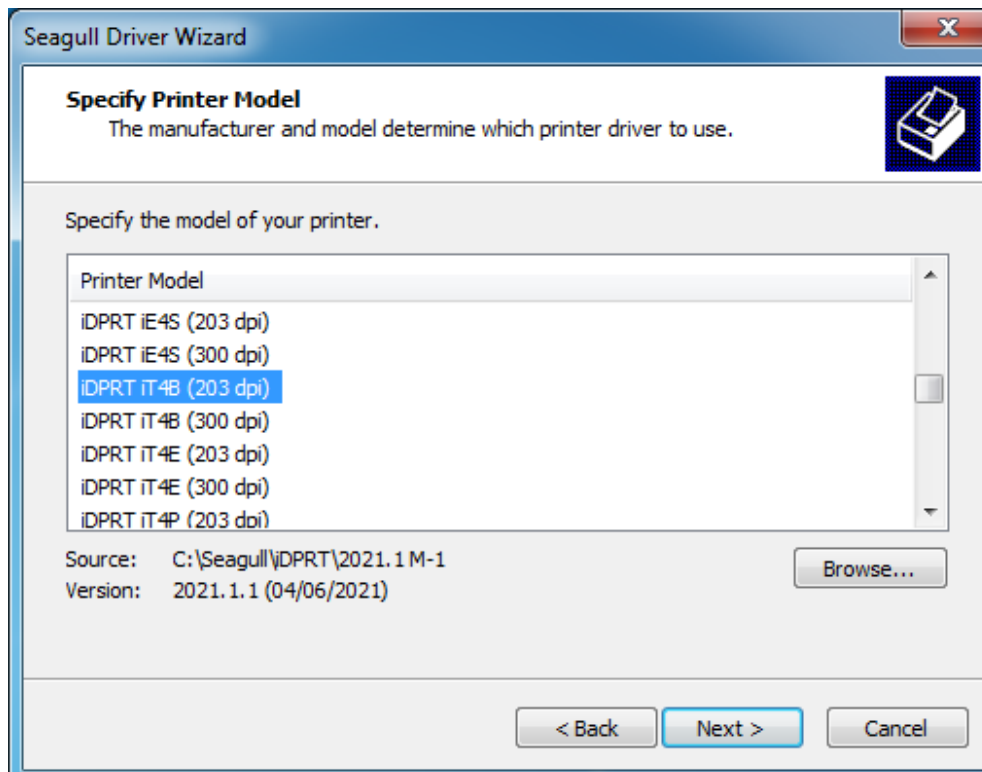


7. Choose "Install printer drivers", then click "Next".

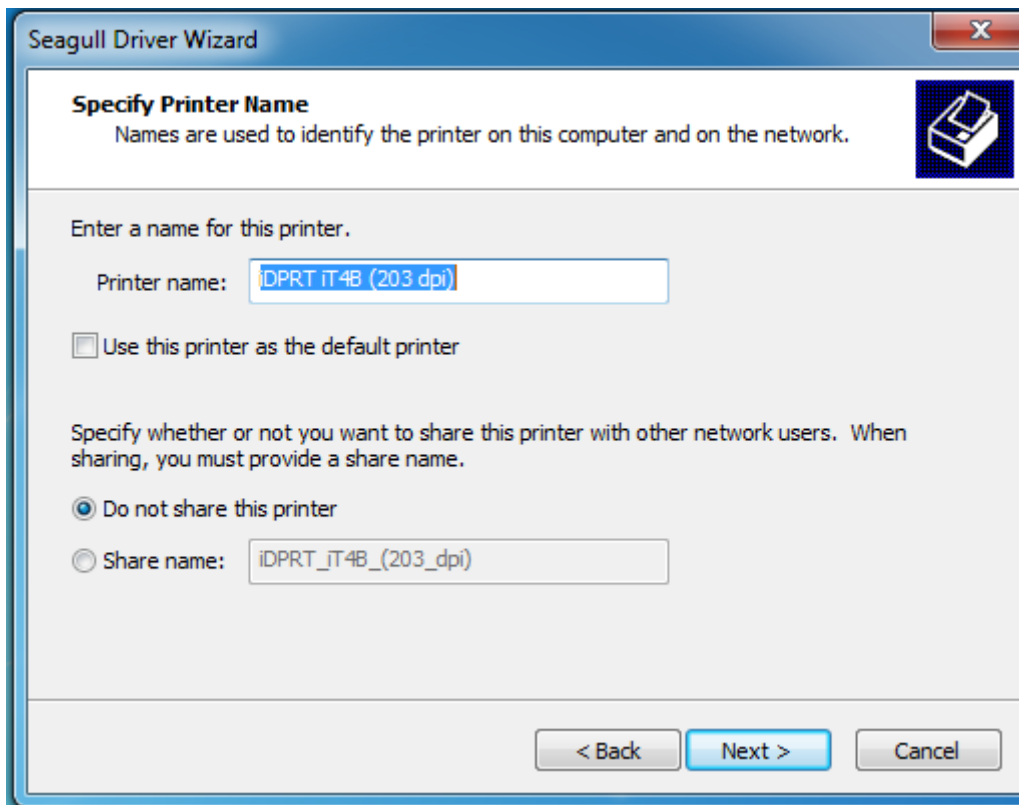


Note: If you have connected the printer to computer, it will detect and install the driver automatically. (e.g.: USB port)

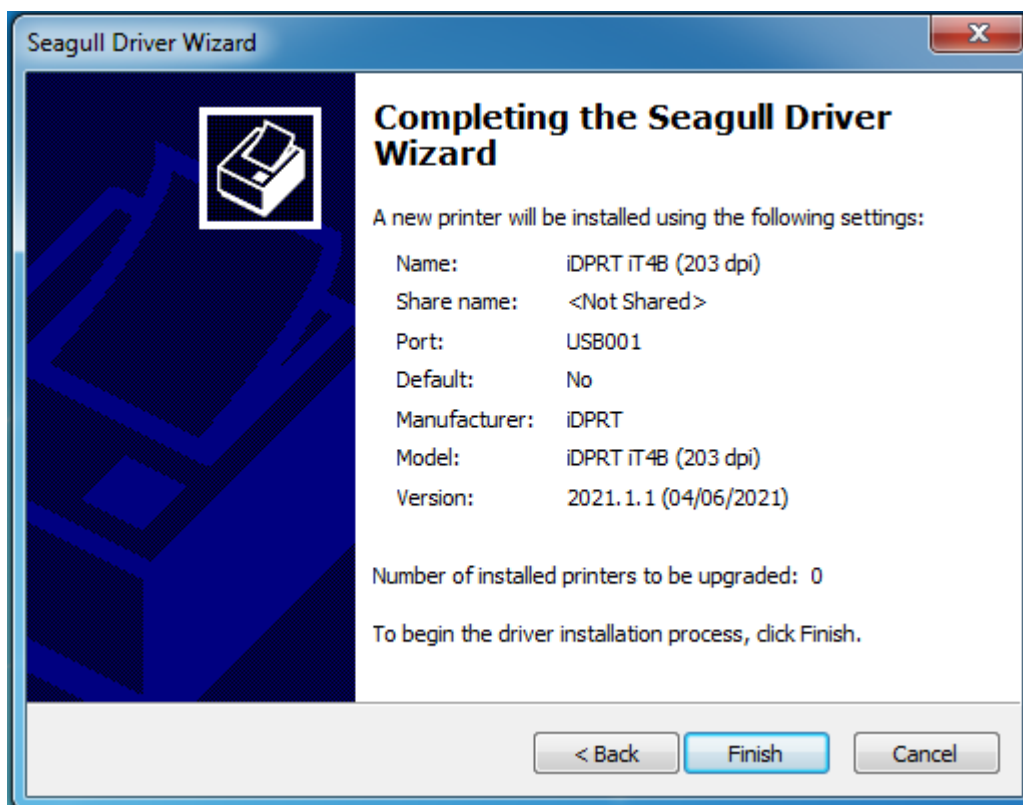
8. Choose "Specify Printer Model", then click "Next".



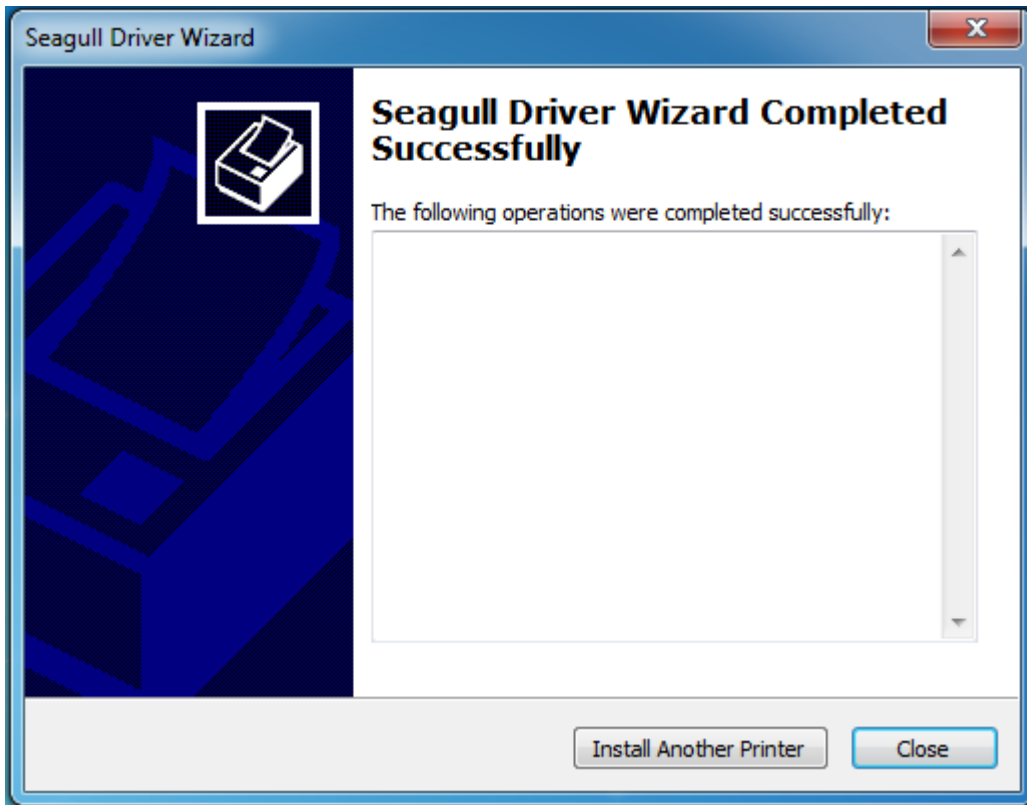
9. Enter a name for this printer, then click "Next".



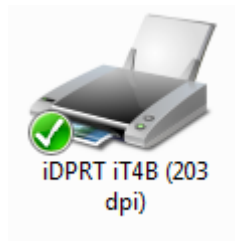
10. Click "Finish".



11. Click "Close", and the driver is installed successfully.



12. After installation, the icon will be found in "Start" → "Devices and Printers".



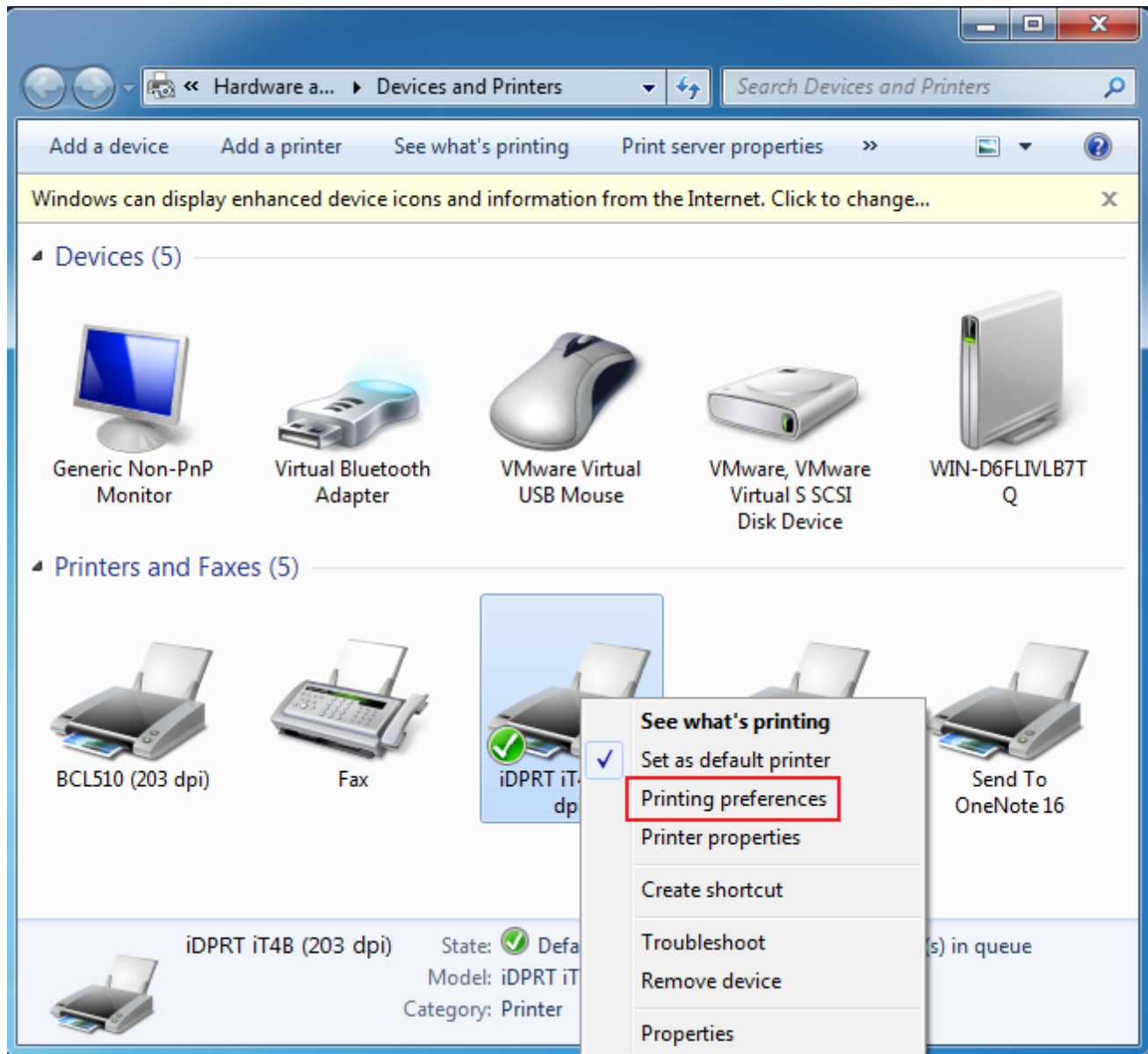
Note:

- If you have already installed the driver (No matter what kind of ports), it will generate a USB port automatically when connecting the printer to computer.
- Any problems exist, please use our utility tool in CD.

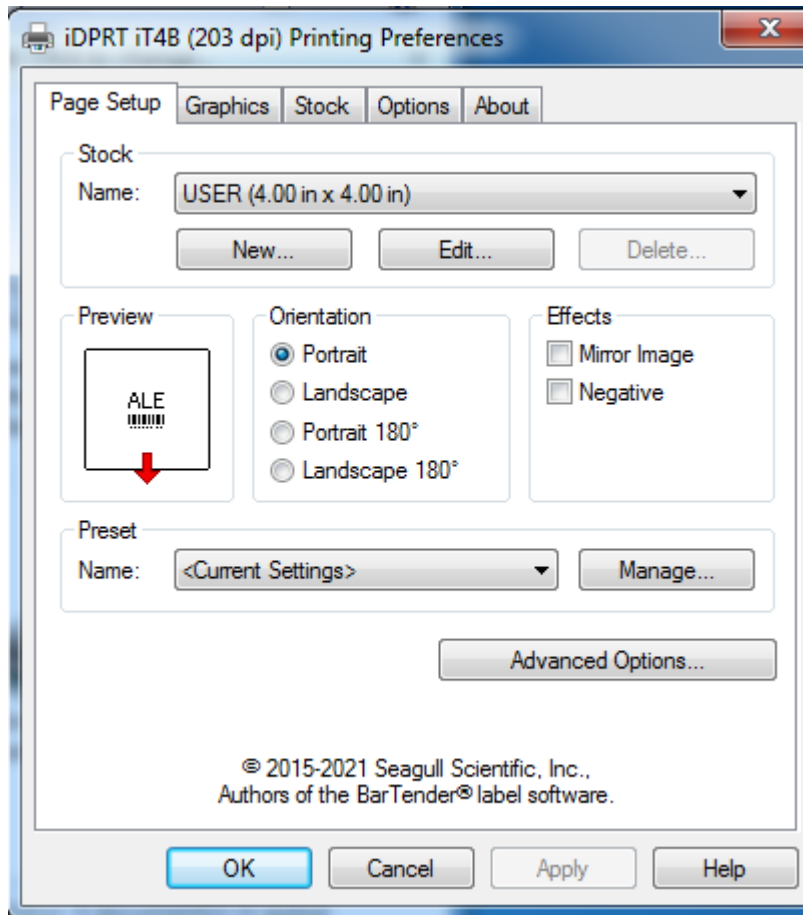
7.4 Usage

7.4.1 Printing Preferences

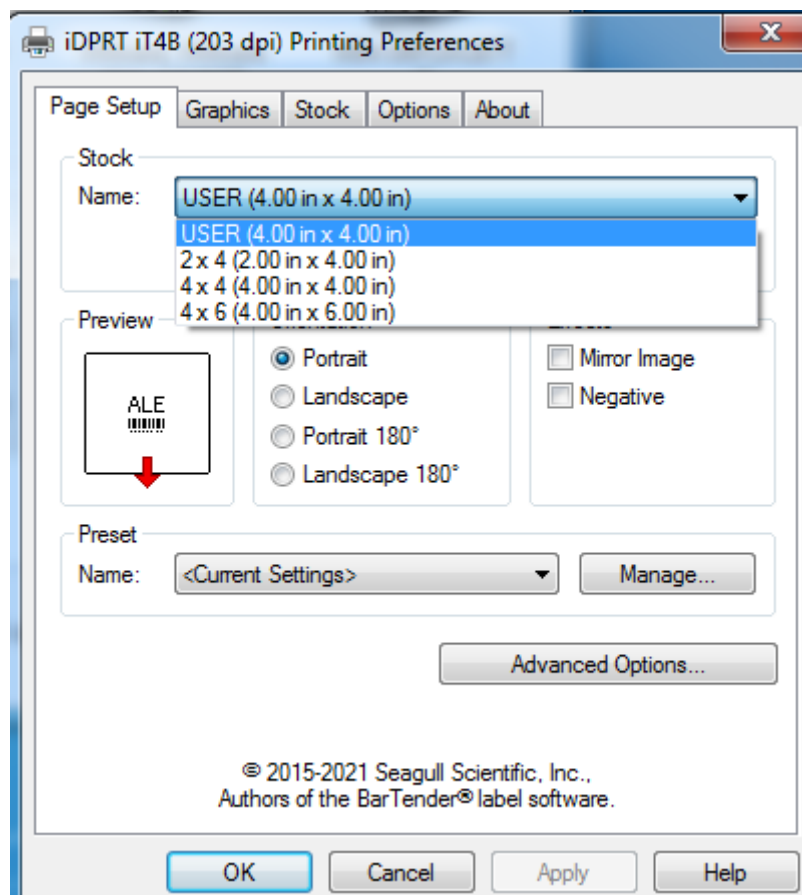
1. Click “Start” → “Devices and Printers”. Right click the icon and choose “Printing preferences”.



2. According to different needs, set up the page.



- Click “Stock” → “Name”, and choose the paper type.



- Click “New Stock”, and set up a new stock.

The 'New Stock' dialog box is shown with the following settings:

- Stock Name:** New Stock
- Type:** Die-Cut Labels
- Label Size:** Width: 4.00 in, Height: 4.00 in
- Exposed Liner Widths:** Left: 0.05 in, Right: 0.05 in

The Preview window shows a square label with a white background and a black border. At the bottom of the dialog are buttons for 'OK', 'Cancel', and 'Help'.

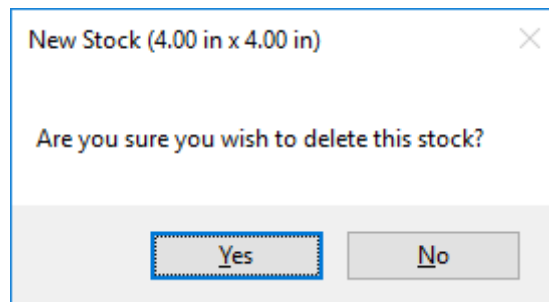
- Click “Edit Stock”, and edit the stock.

The 'New Stock' dialog box is shown with the 'Type' dropdown menu open, displaying the following options:

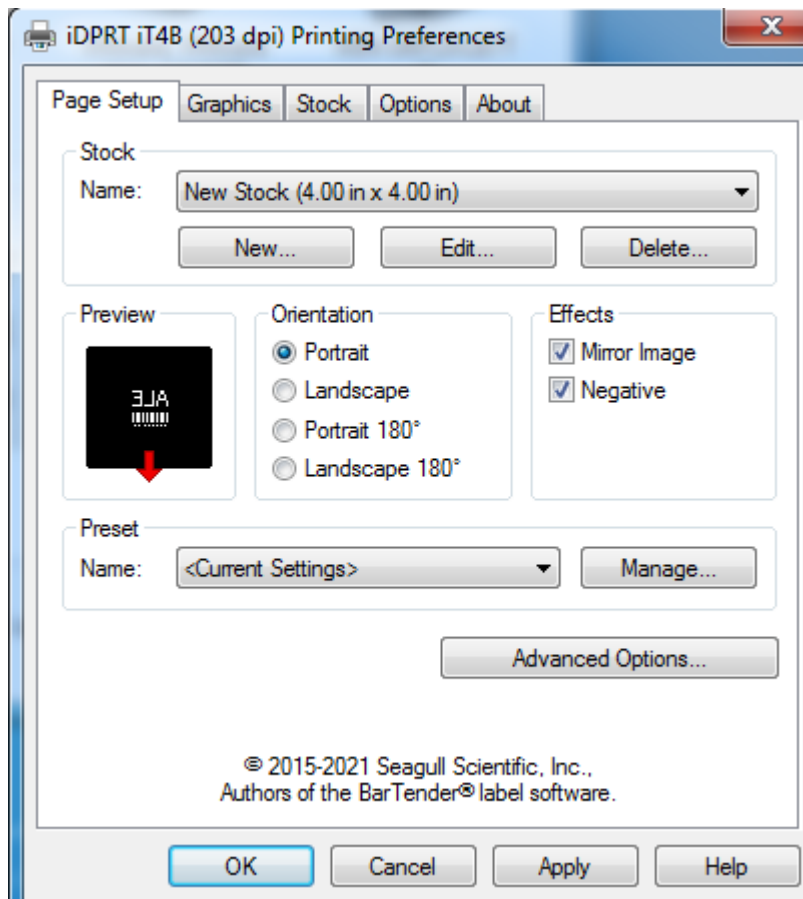
- Die-Cut Labels
- Continuous (Fixed Length)
- Continuous (Variable Length)

The other settings remain the same as in the previous screenshot: Name: New Stock, Width: 4.00 in, Height: 4.00 in, Left: 0.05 in, Right: 0.05 in. The Preview window and buttons are also visible.

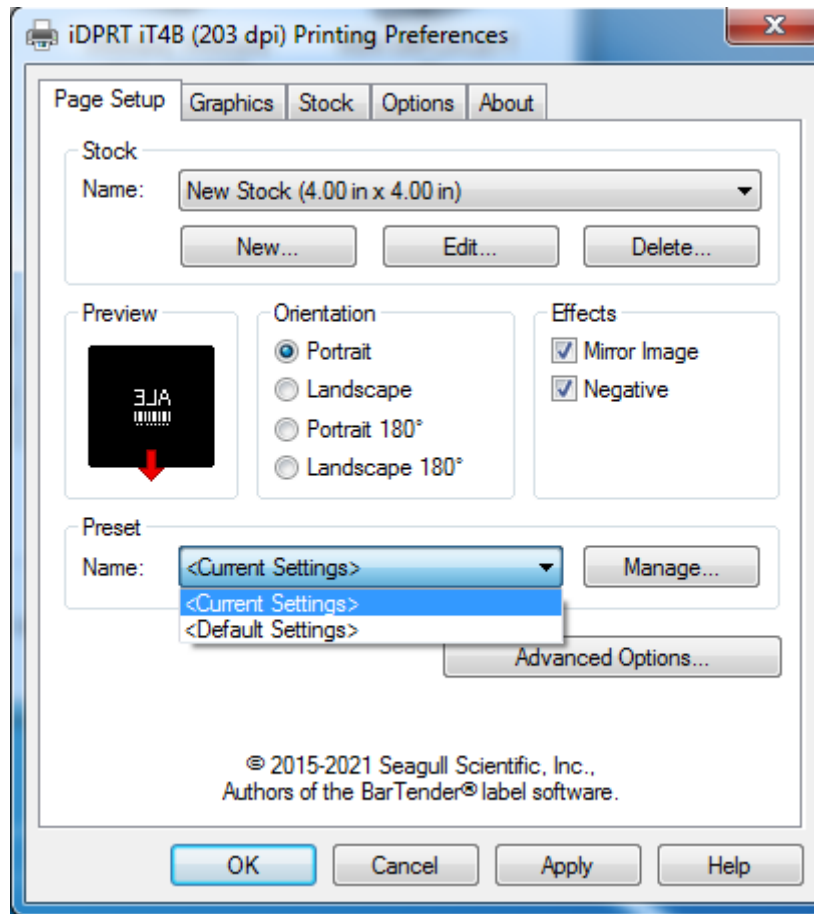
- Click “Delete Stock”, and delete the stock.



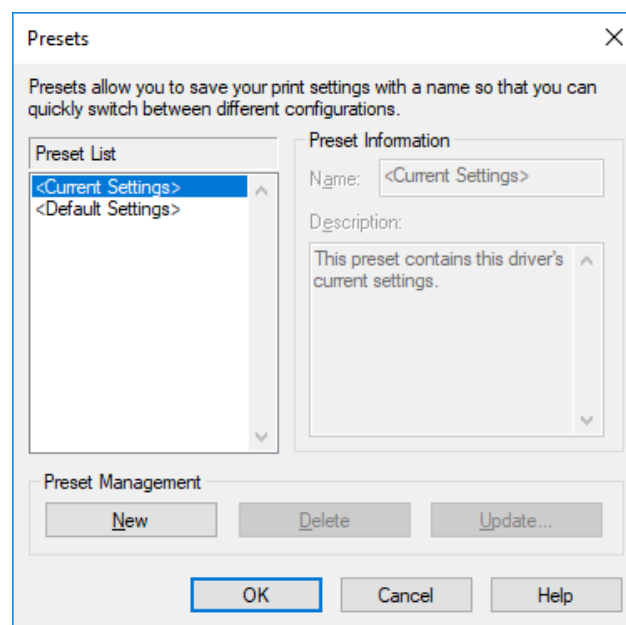
- Choose “Orientation” or “Effects”, showed in the “Preview”.



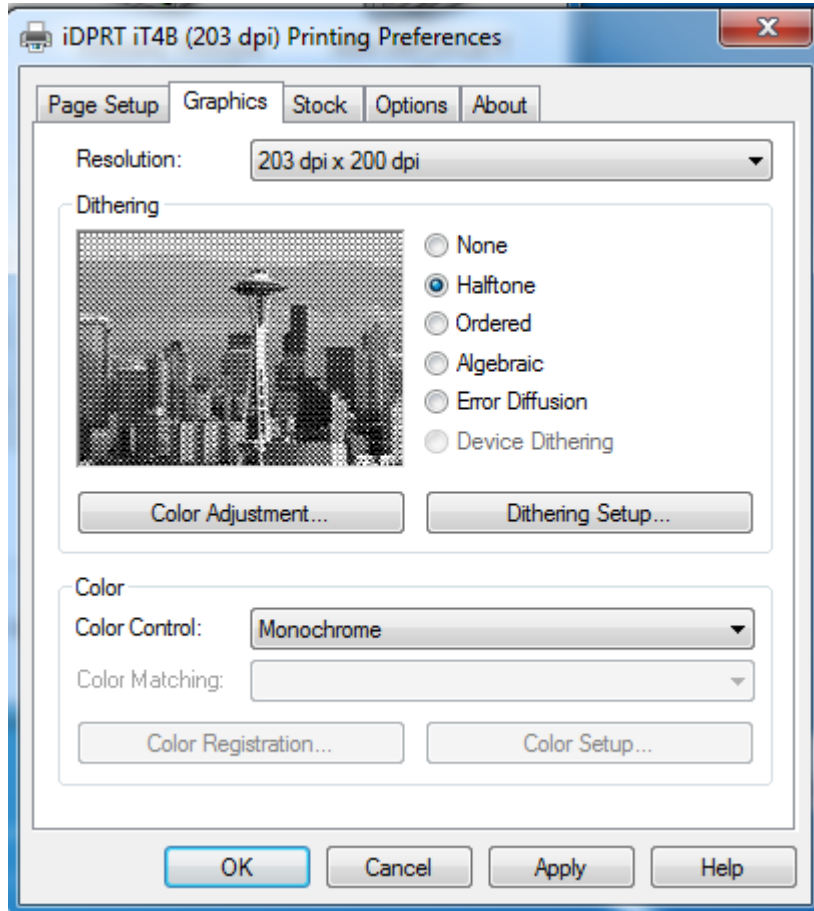
- Click “Preset” → “Name”, and back to the default settings.



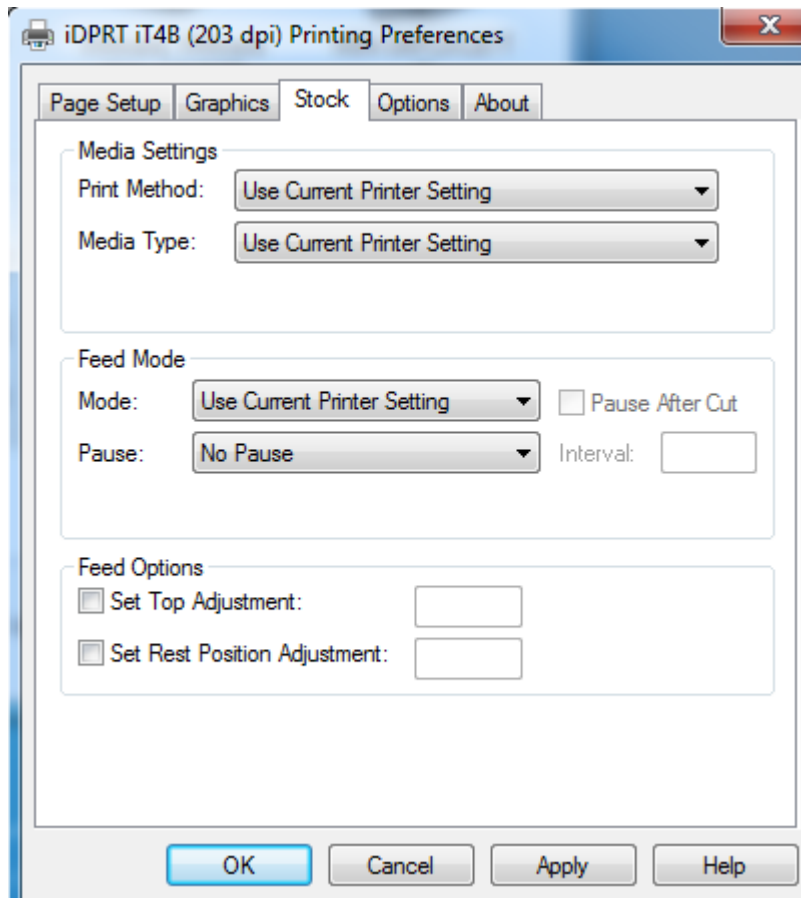
- Click “Manage”, and change the settings.



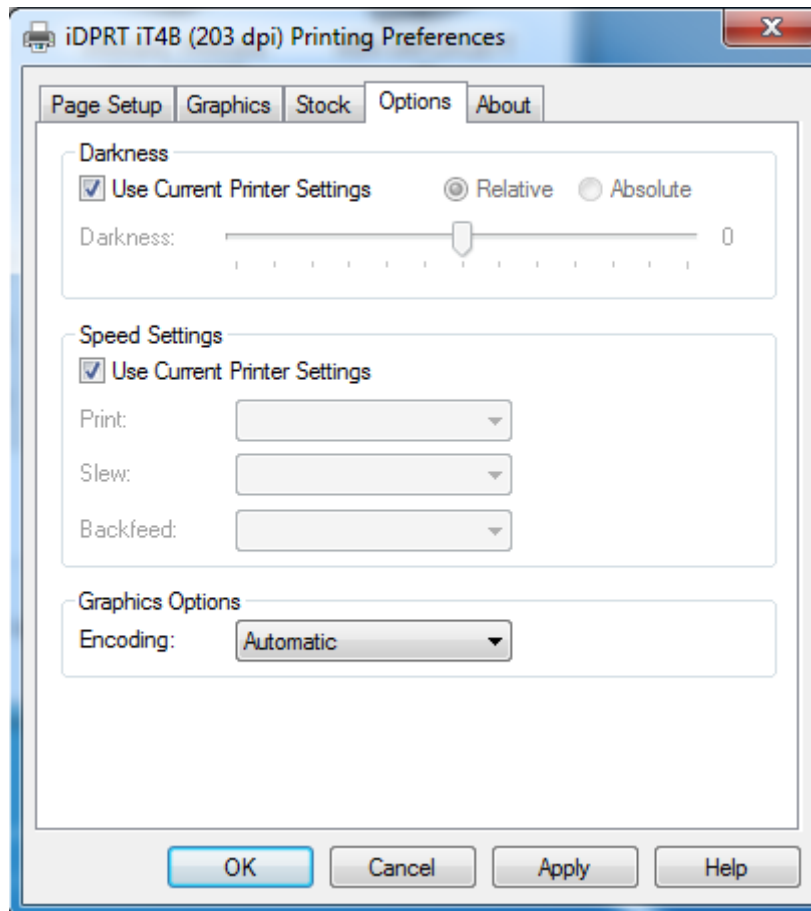
3. Click “Graphics”, and edit the pictures.



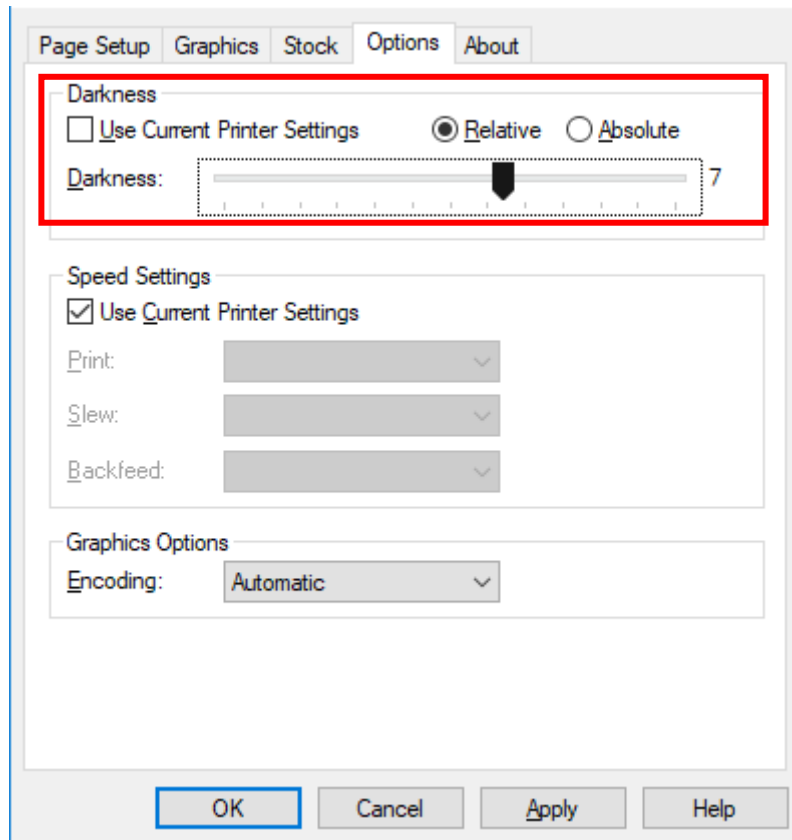
4. Click "Stock".



5. Click "Option".

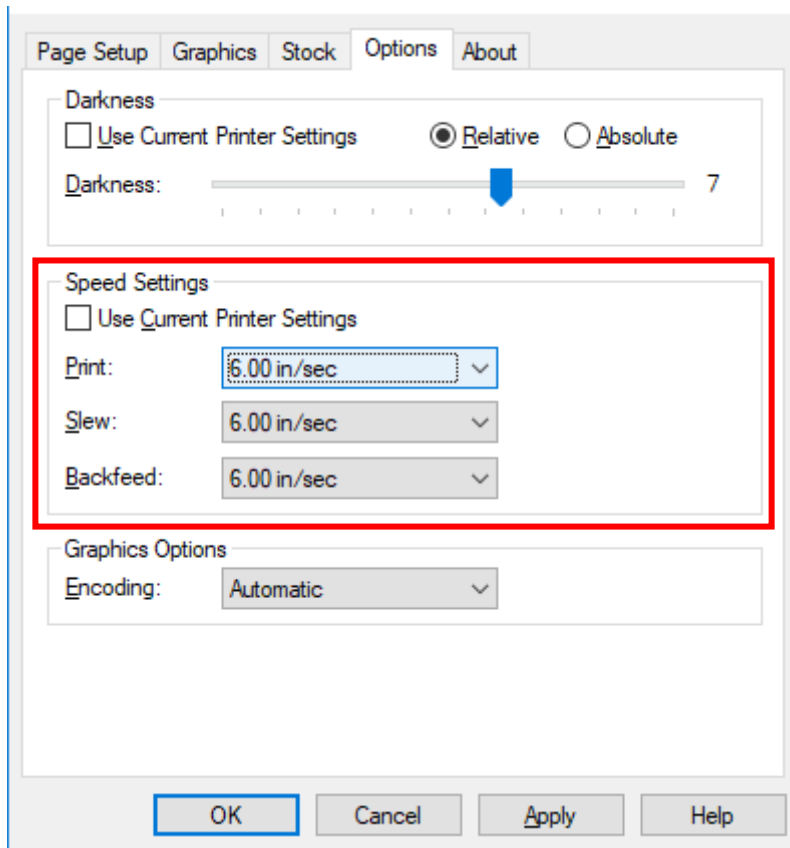


- Click “Darkness”. Set up the relative and absolute darkness.



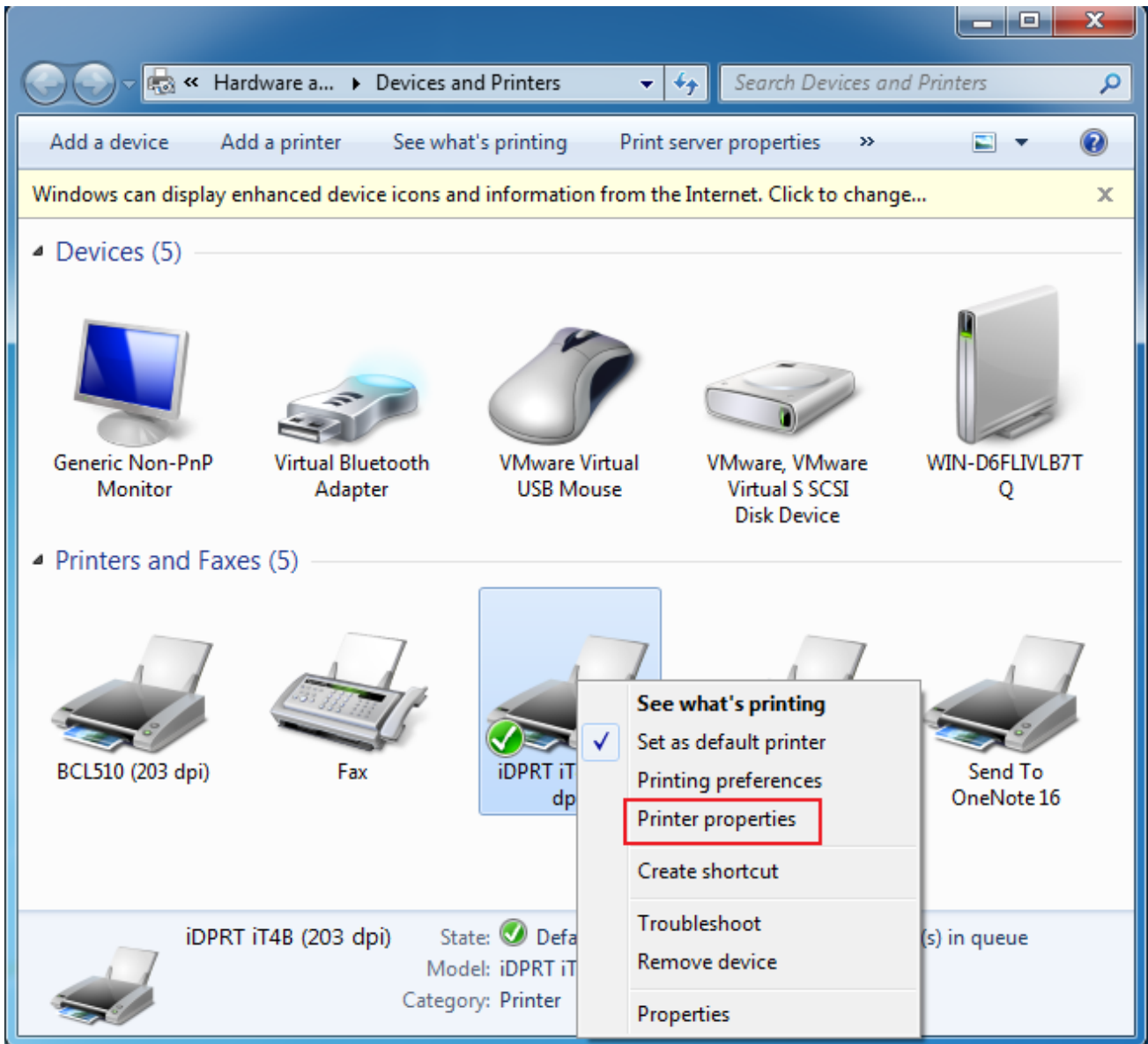
In general, the darkness of relative and absolute is 0 and 15 respectively. When the printing effect is too light, turn up the absolute darkness (<15). When the printing is too thick, turn down the absolute darkness (>15). The relative concentration remains unchanged.

- Click "Speed Settings". Set up the printing speed.

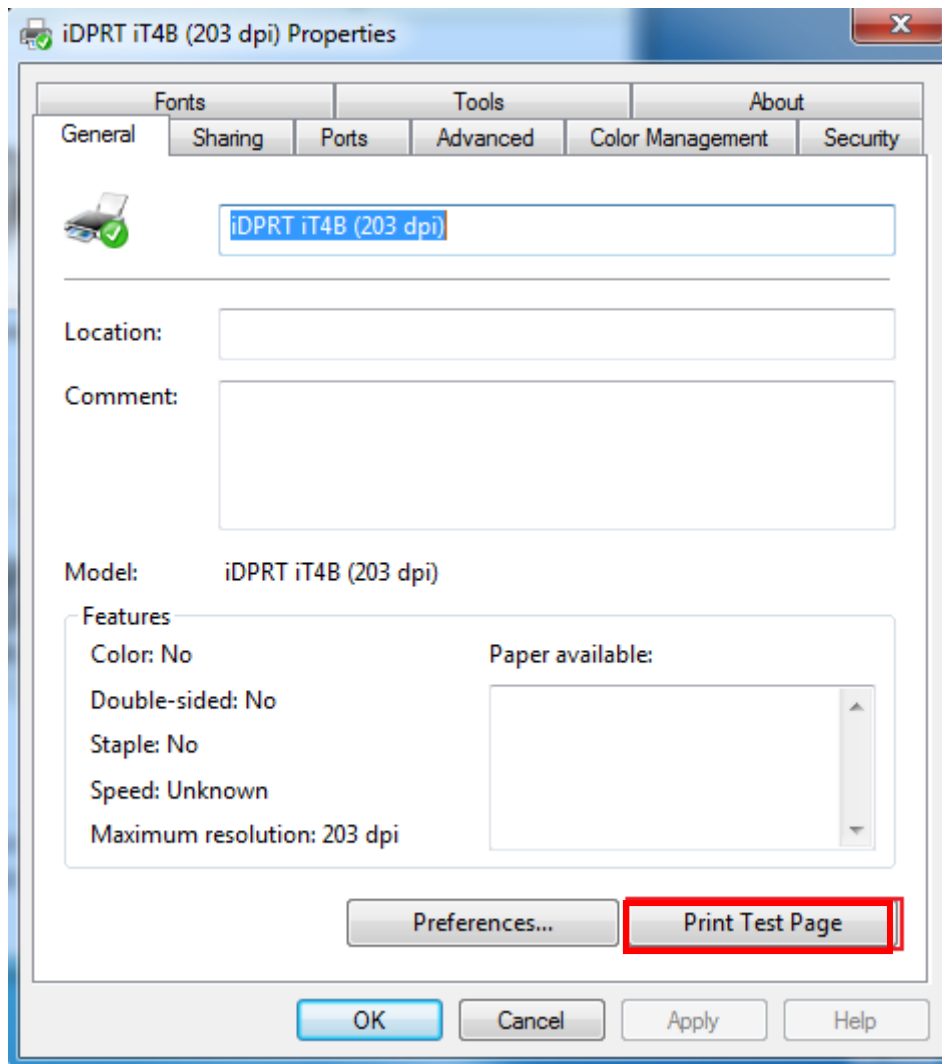


7.4.2 Printer Properties

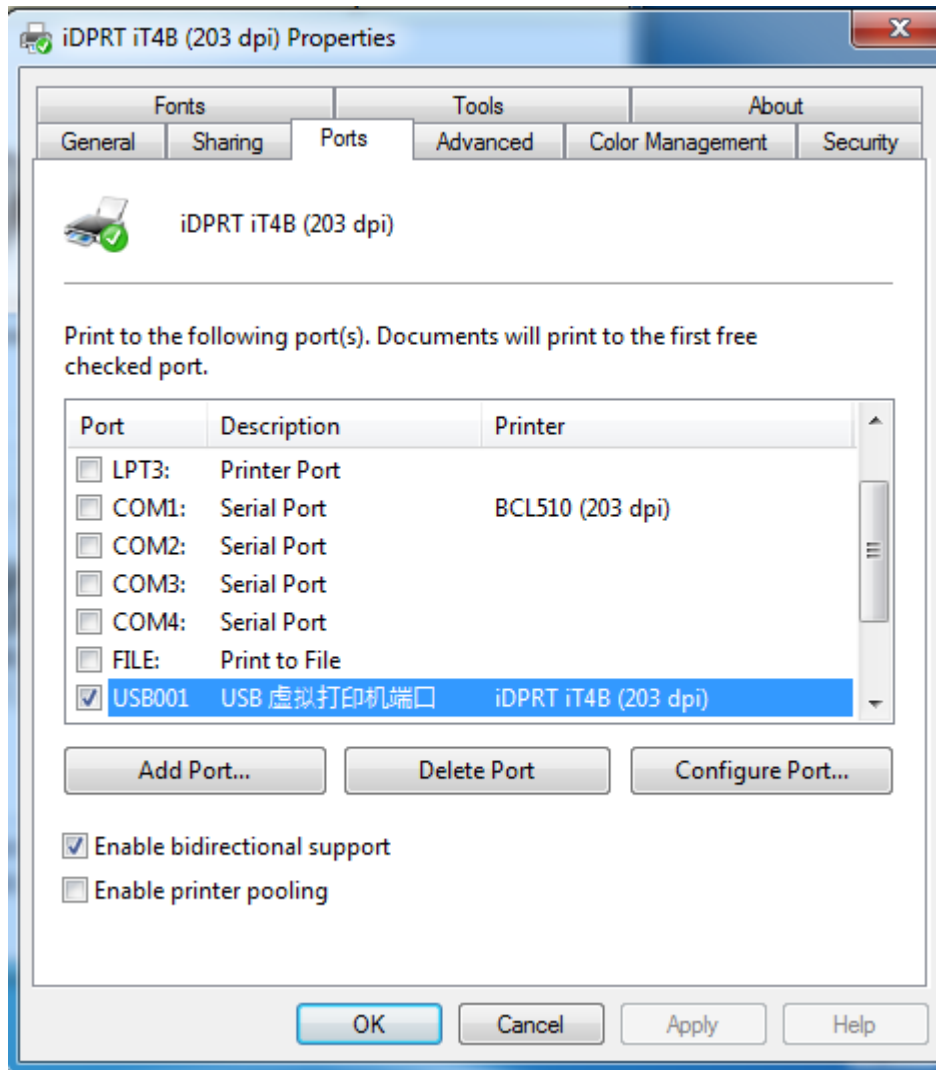
1. Click “Start” → “Devices and Printers”. Right click the icon and choose “Printer properties”.



2. Click “General” → “Print Test Page”, and printer will print labels with current settings.



3. Click "Ports", and choose the port needed.



Chapter 8 BarTender Ultralite Instructions

8.1 Introduction

This chapter provides instructions on BarTender Ultralite program according to PC operating systems(OS).

The followings are supported.

- Windows 10, 8.1, 8, 7 and Vista.
- Windows Server 2016, Server 2012 and 2012 R2, Server 2008 and 2008 R2.
- Includes all 32-bit and 64-bit (x64) editions.

8.2 Installation Preparation

Download BarTender Ultralite application program in CD.

8.3 Installation

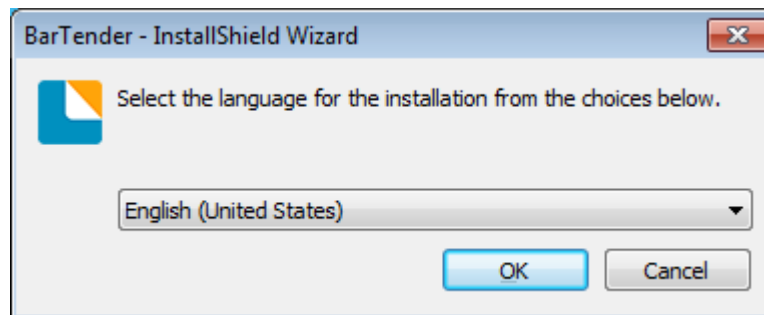


Note:

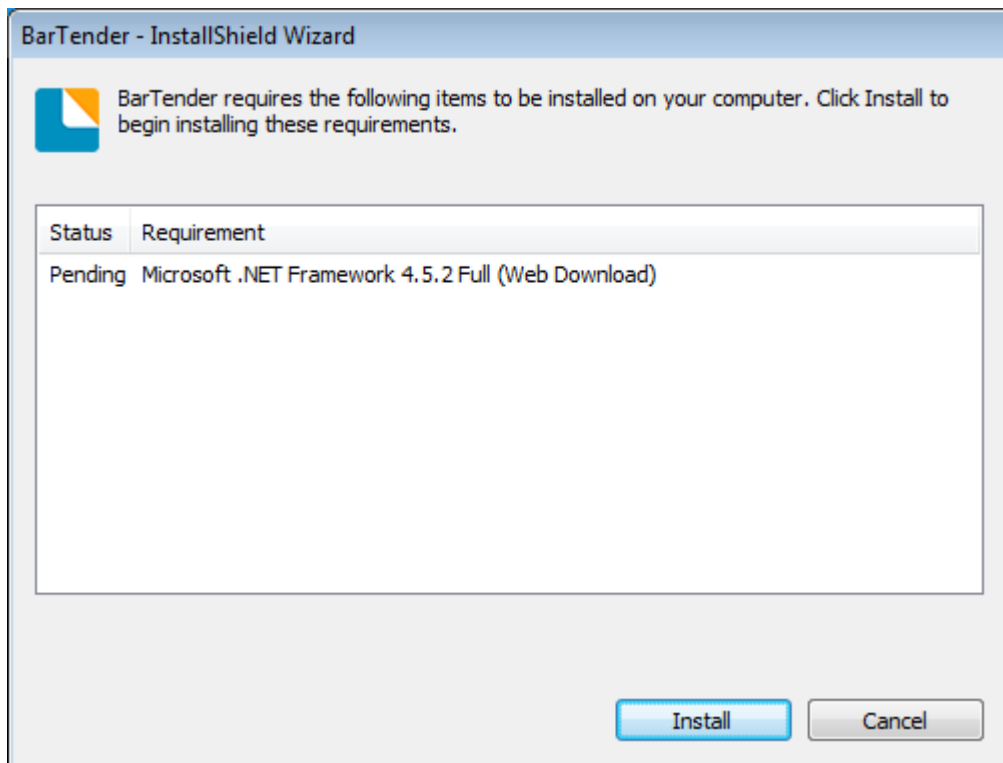
- Under different operating systems, the screen may be slightly different. Take Windows 7 as example.
- Take printer iT4B as example.
- To avoid the prevention, recommend to close the security software before installation.

1. Double click the application program .

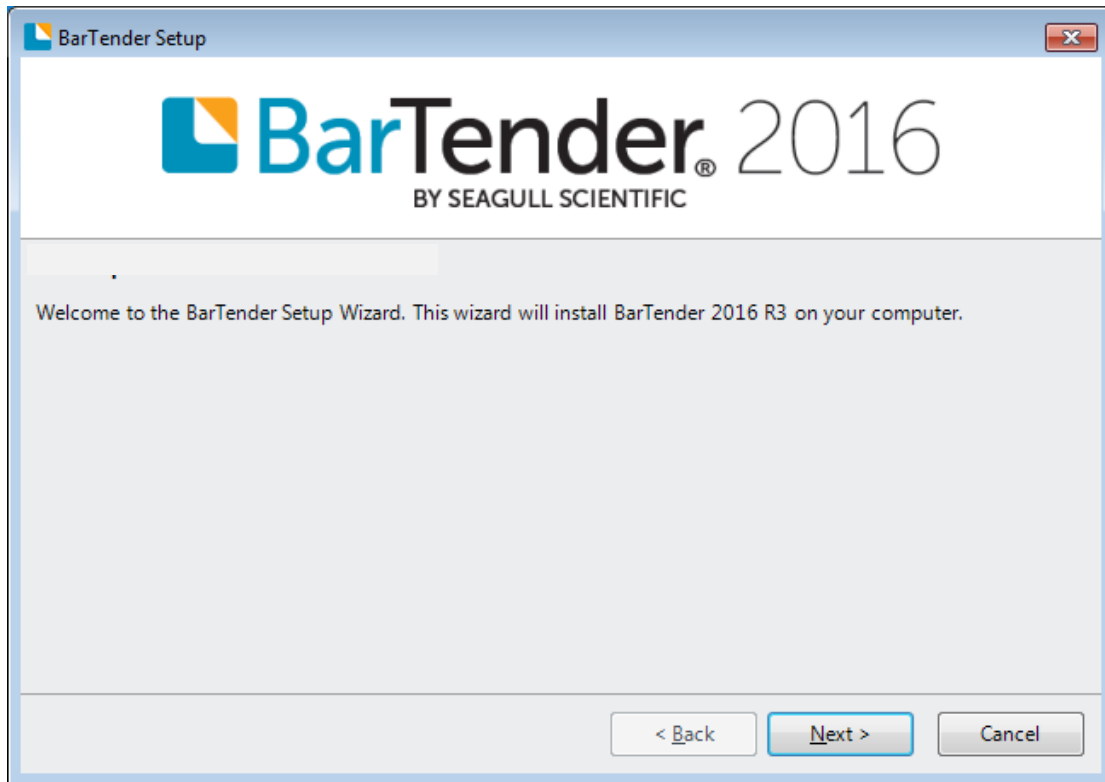
2. Select language, then click "OK".



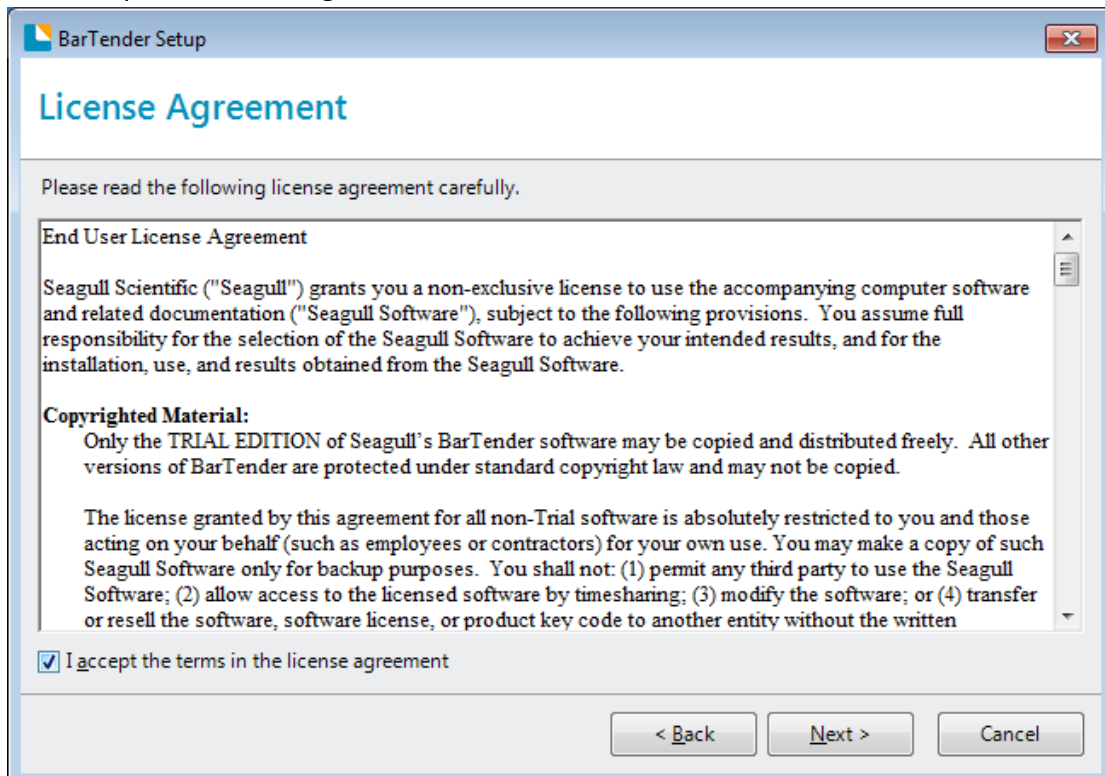
3. Click "Install".



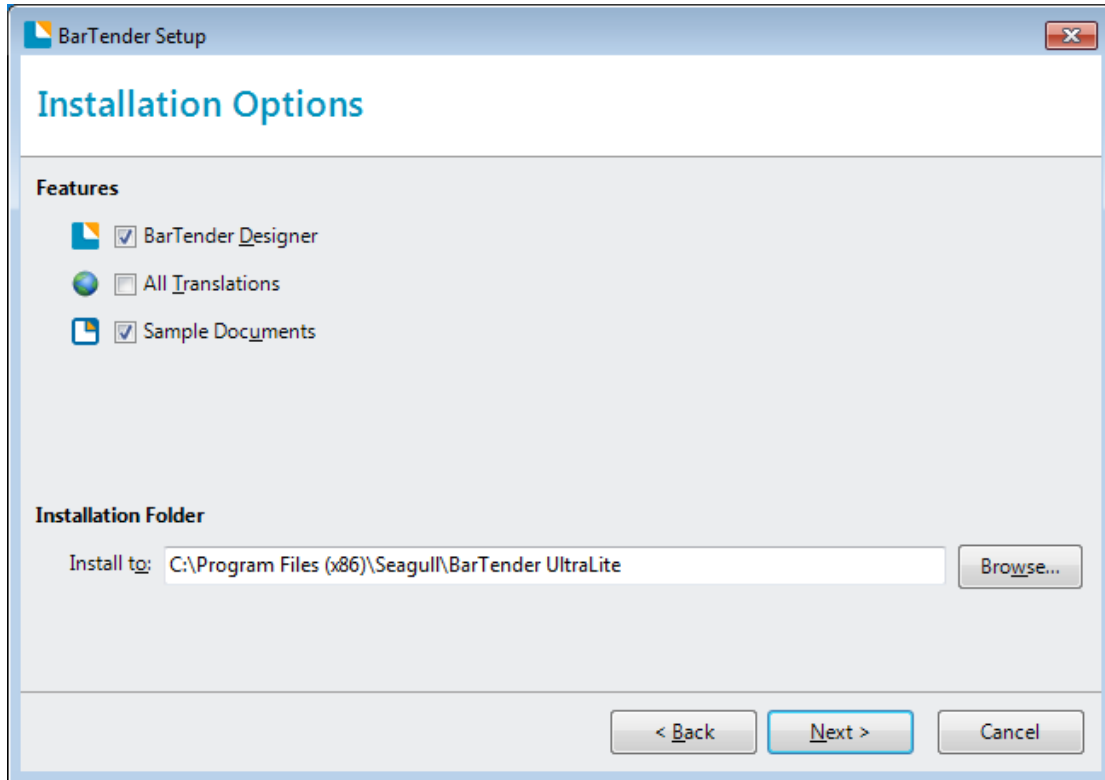
4. Click "Next".



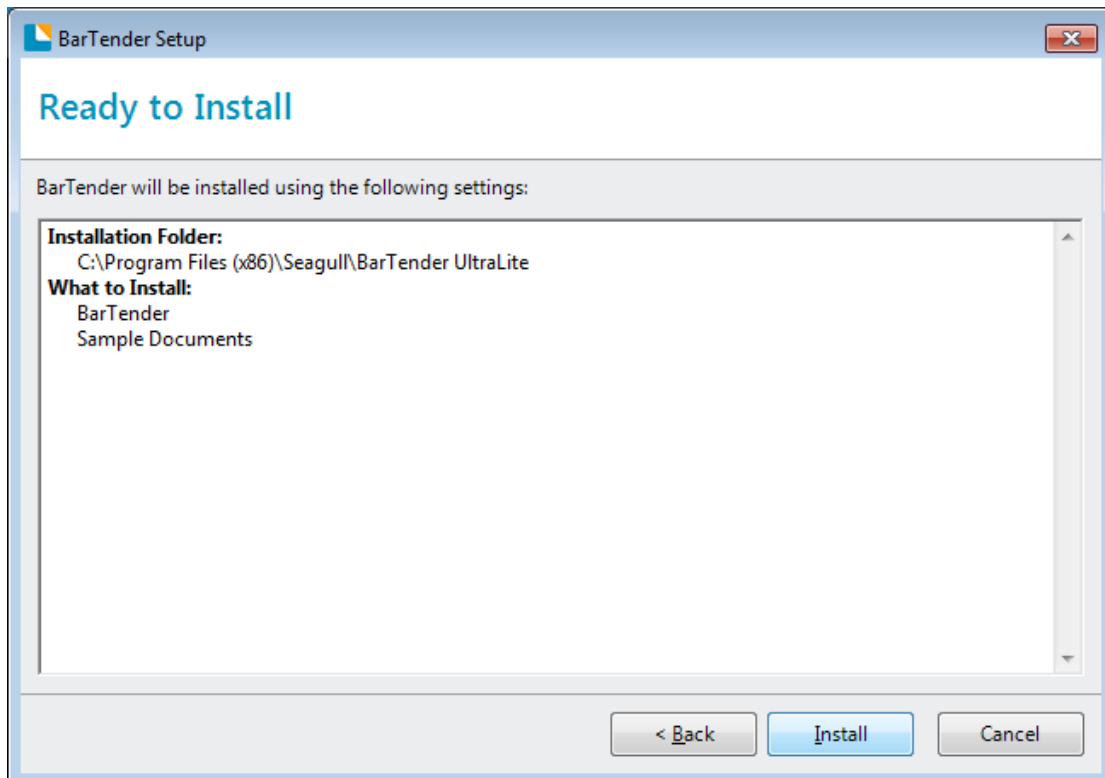
5. Read and accept the license agreement, then click "Next".

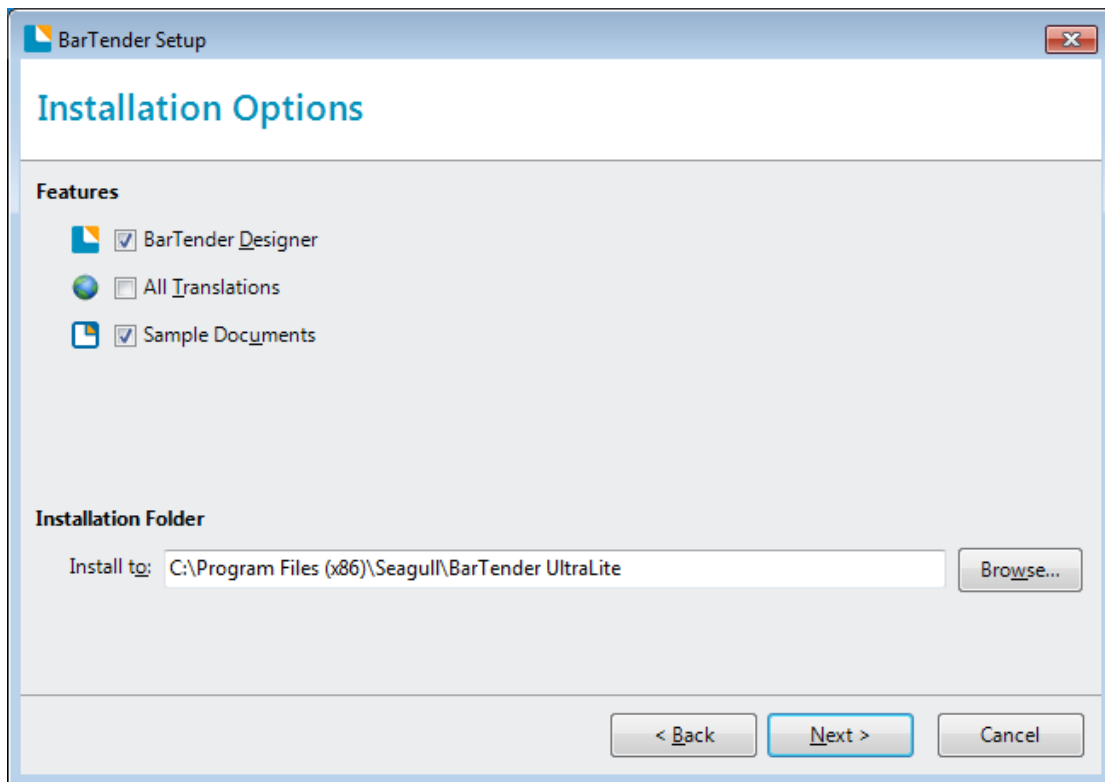


6. Select "Features" and installation location, then click "Next".

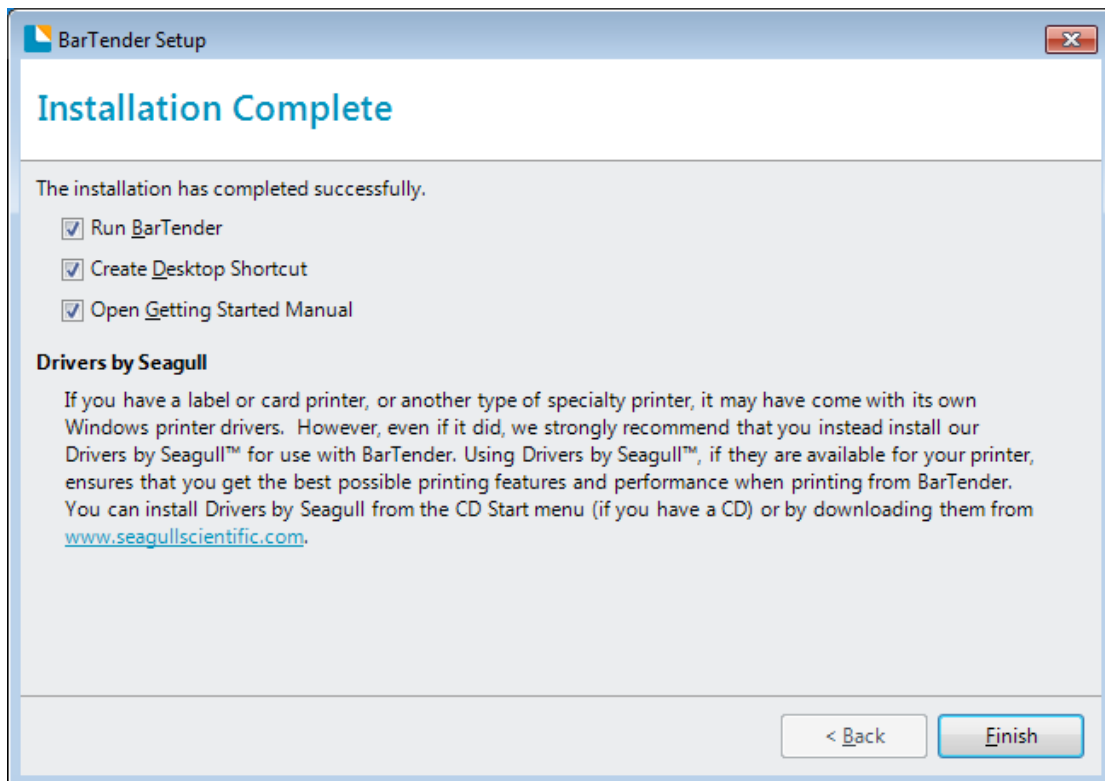


7. Click "Install".

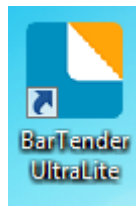




8. Click "Finish".



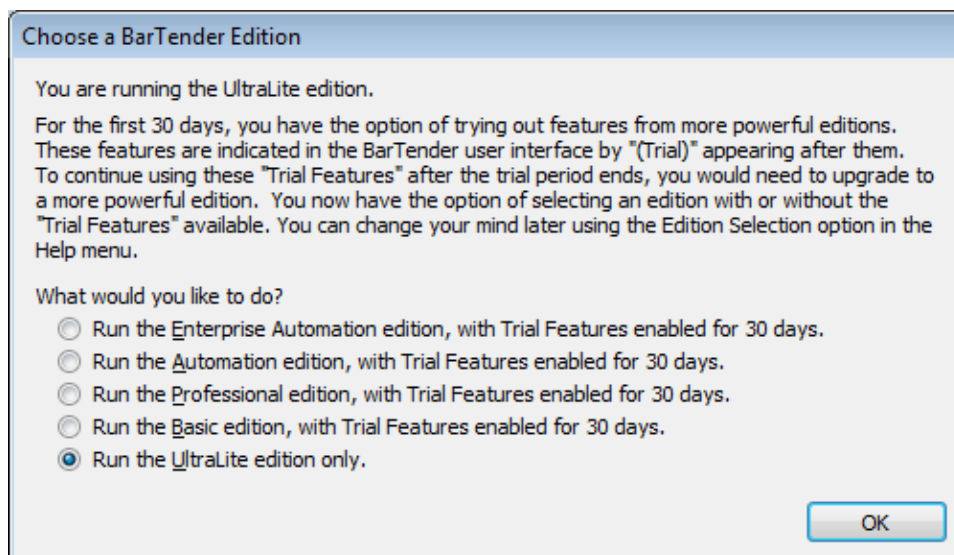
9. Back to desktop, and you will see the icon of BarTender UltraLite. Double click it and get down to use.



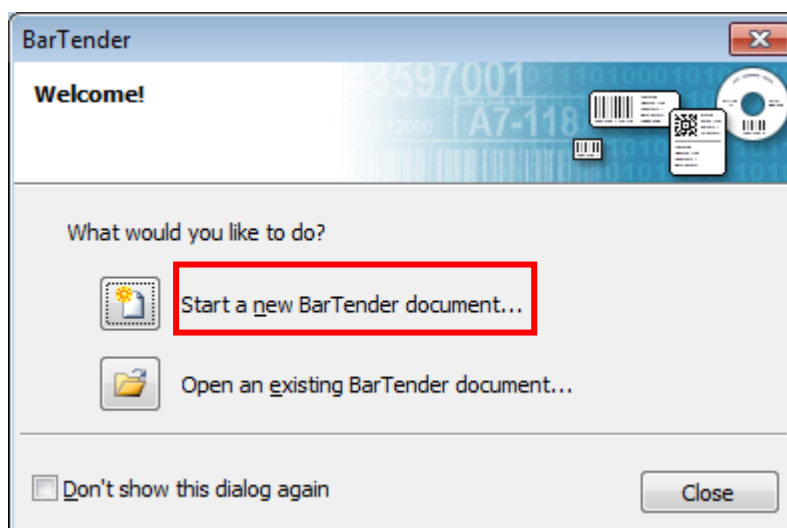
8.4 Usage

8.4.1 Page Settings

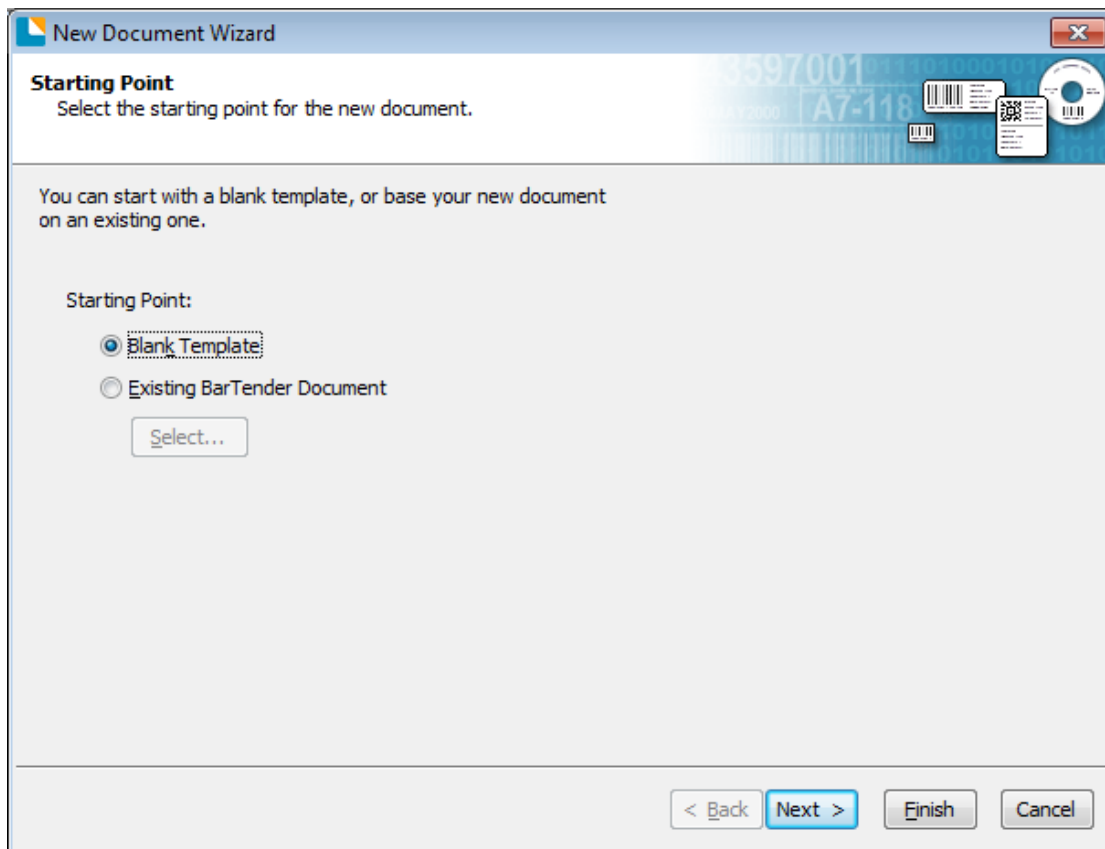
1. Double click the icon, then choose the edition. Click "OK". (The edition may be changed according to different needs.)



2. Click "Start a new BarTender document".



3. Choose “Blank Template”, then click “Next”.



4.If the predefined stocks don't meet your need, tick "Specify Custom Settings". Then click "Next".

The screenshot shows a 'New Document Wizard' dialog box with the 'Stock Selection' step. The dialog has a title bar with a close button. Below the title bar, there is a decorative header with a blue background and white text, including the number '3597001', 'A7-118', and icons for a barcode, a QR code, and a CD. The main content area contains the following text: 'A Stock specifies the size of the page, and the size, number, and position of the items on the page. You may select a predefined Stock or specify your own custom settings.' Below this text are two radio buttons: 'Specify Custom Settings' (which is selected) and 'Use a Predefined Stock'. Under 'Use a Predefined Stock', there is a 'Category:' dropdown menu and a 'Stock Name:' list box. At the bottom of the dialog, there are four buttons: '< Back', 'Next >', 'Finish', and 'Cancel'.

New Document Wizard

Stock Selection

A Stock specifies the size of the page, and the size, number, and position of the items on the page. You may select a predefined Stock or specify your own custom settings.

Specify Custom Settings

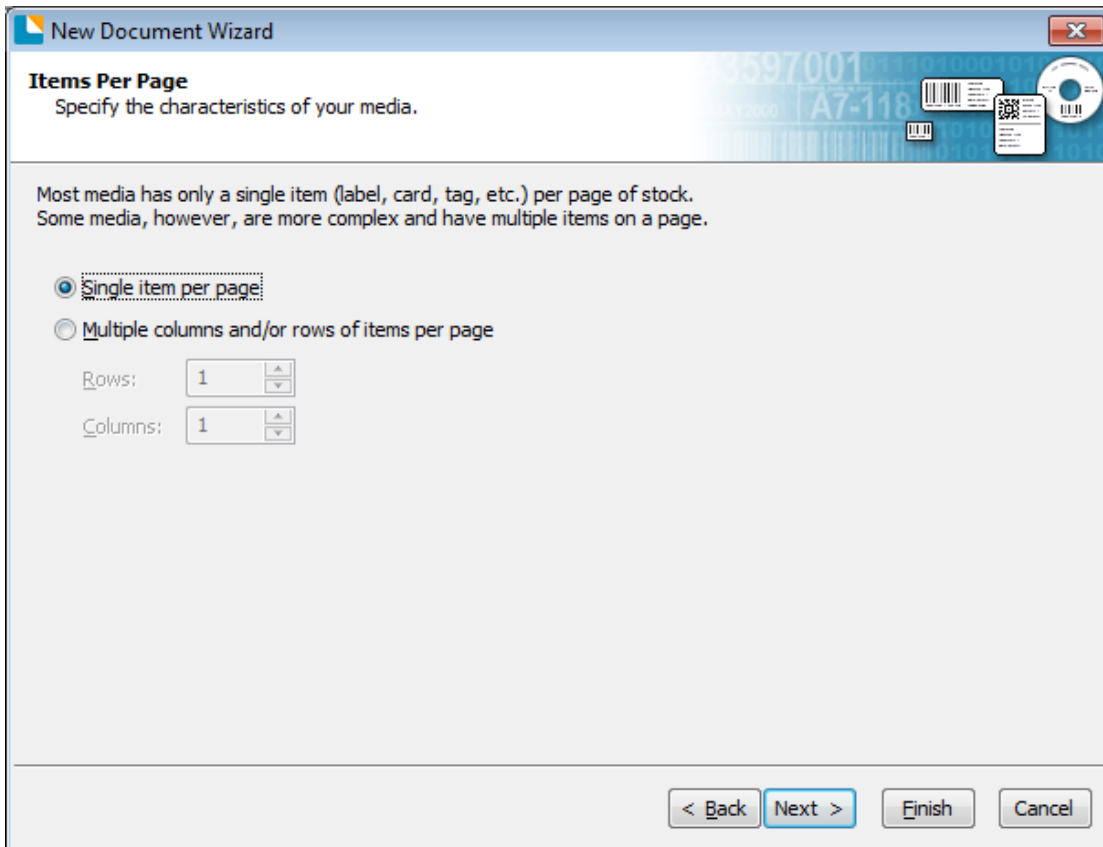
Use a Predefined Stock

Category:

Stock Name:

< Back Next > Finish Cancel

5. Tick “Single item per page”, then click “Next”. (If you print multiple labels, tick “Multiple columns and/or rows of items per page”.)



The screenshot shows a window titled "New Document Wizard" with a close button in the top right corner. The main heading is "Items Per Page" with the instruction "Specify the characteristics of your media." Below this, there is a decorative banner with a background image of various media items including a CD, a label with the number "3597001", and a label with "A7-118".

Below the banner, the text reads: "Most media has only a single item (label, card, tag, etc.) per page of stock. Some media, however, are more complex and have multiple items on a page."

There are two radio button options:

- Single item per page**
- Multiple columns and/or rows of items per page**

Under the second option, there are two spin boxes:

- Rows: 1
- Columns: 1

At the bottom right of the dialog, there are four buttons: "< Back", "Next >", "Finish", and "Cancel".

6. Edit the side edges, then click “Next”.

The screenshot shows the 'New Document Wizard' dialog box, specifically the 'Side Edges' step. The title bar reads 'New Document Wizard'. The main heading is 'Side Edges' with the instruction 'Specify the characteristics of the sides of your media.' Below this, a question asks: 'Does your stock have a small amount of unused material between the edge of the item and the edge of the page?'. There are two radio button options: 'Yes, it does have some unused material on the sides' (which is selected) and 'No, it does not'. Underneath, the 'Width of Unused Area:' is specified for both 'Left' and 'Right' sides, with input fields set to '0.05 in'. To the right, a 'Preview:' window shows a square template with rounded corners and a double-line border. Below the preview, it states 'Template Size: 3.998 x 4 in'. At the bottom of the dialog are four buttons: '< Back', 'Next >', 'Finish', and 'Cancel'.

New Document Wizard

Side Edges
Specify the characteristics of the sides of your media.

Does your stock have a small amount of unused material between the edge of the item and the edge of the page?

Yes, it does have some unused material on the sides

No, it does not

Width of Unused Area:

Left: 0.05 in

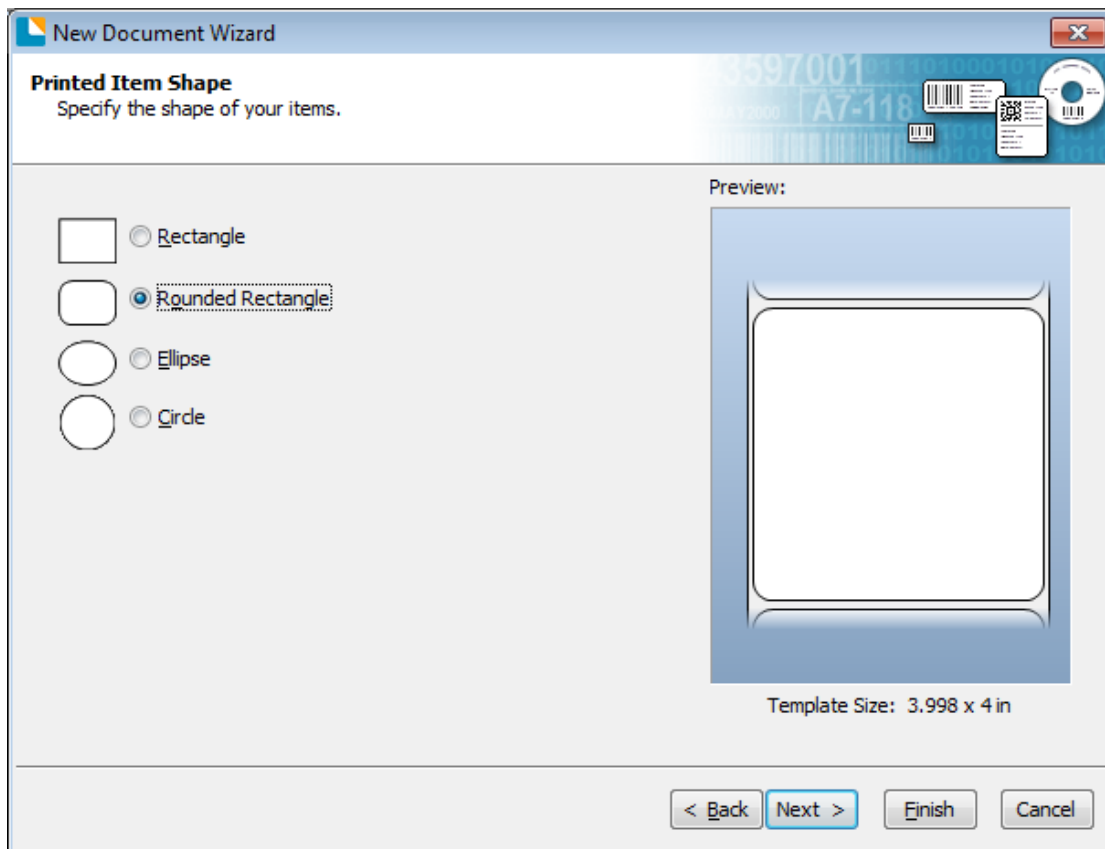
Right: 0.05 in

Preview:

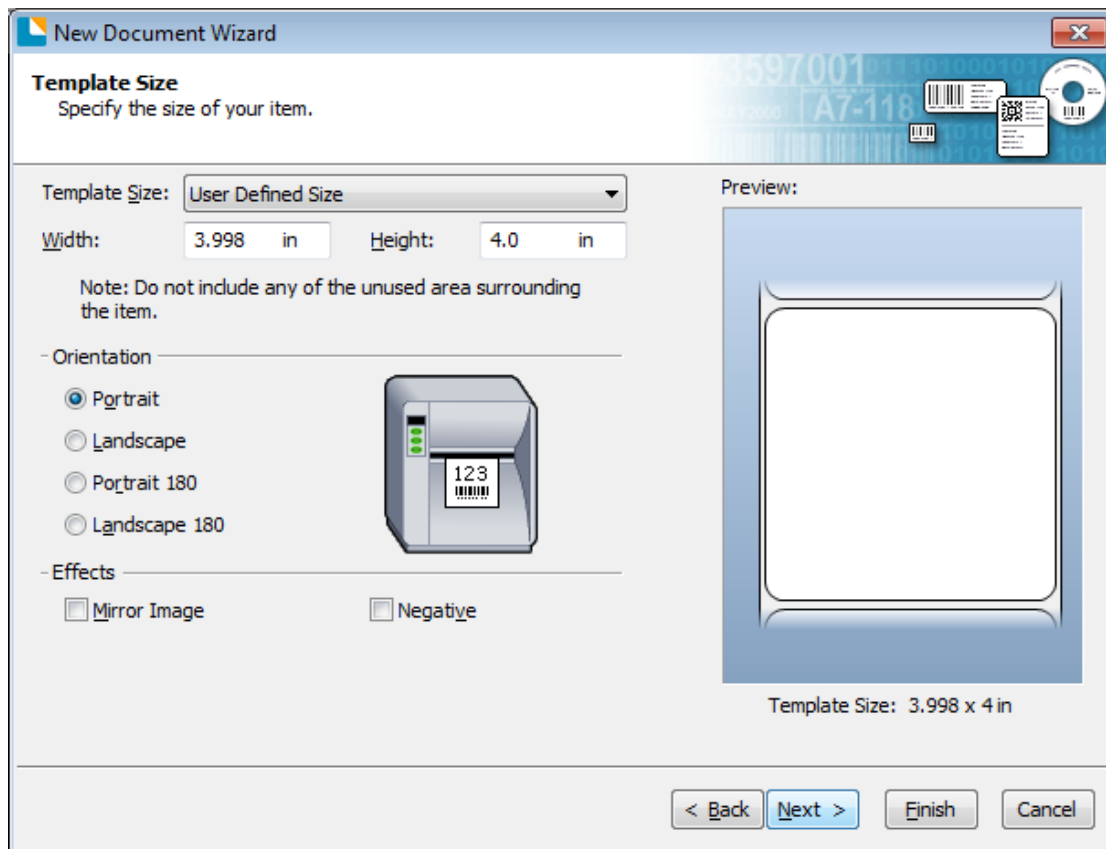
Template Size: 3.998 x 4 in

< Back Next > Finish Cancel

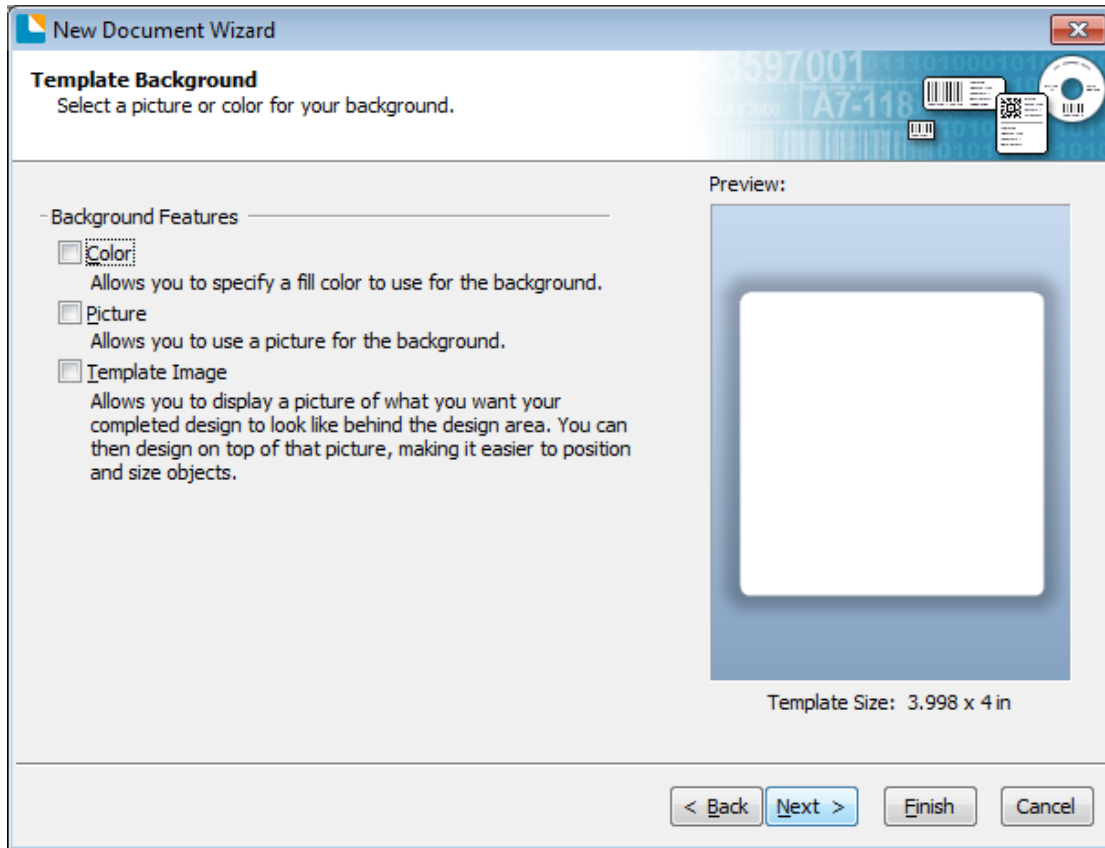
7. Choose the item shape, then click “Next”.



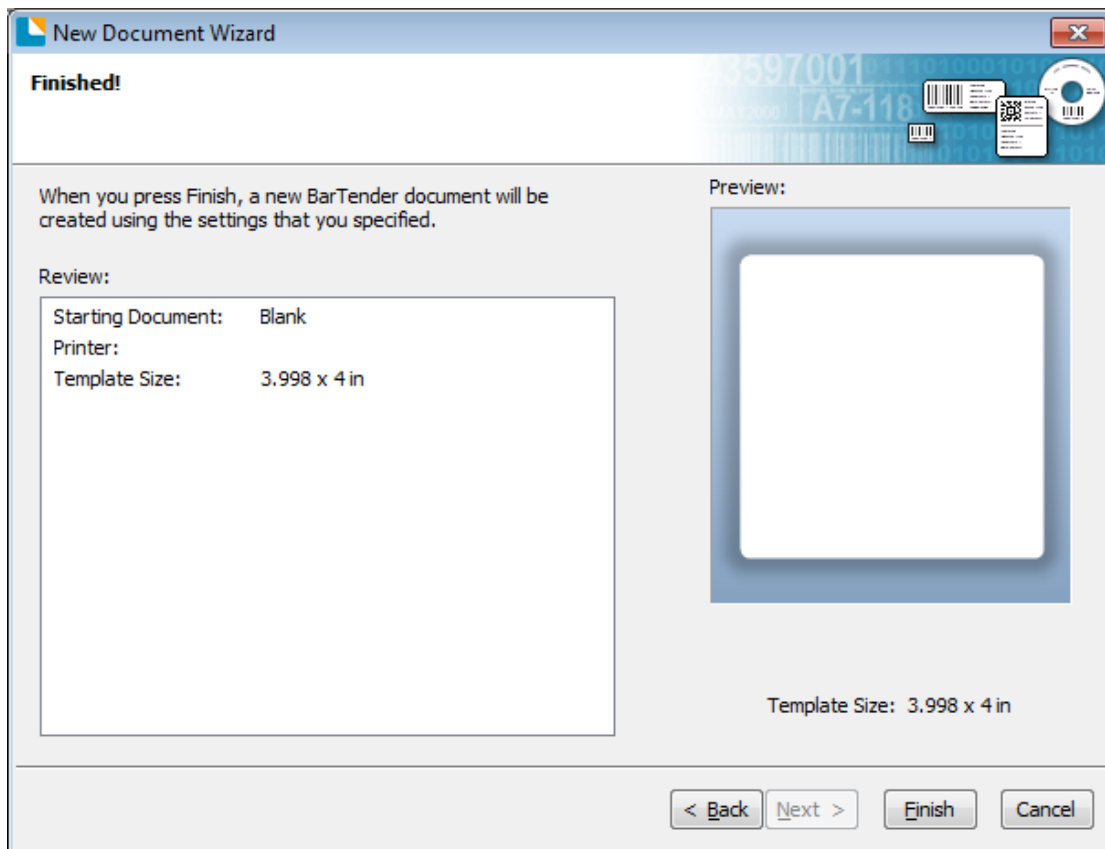
8. Edit the template size, then click “Next”.




9. Based on your need, edit the template background. Then click “Next”.



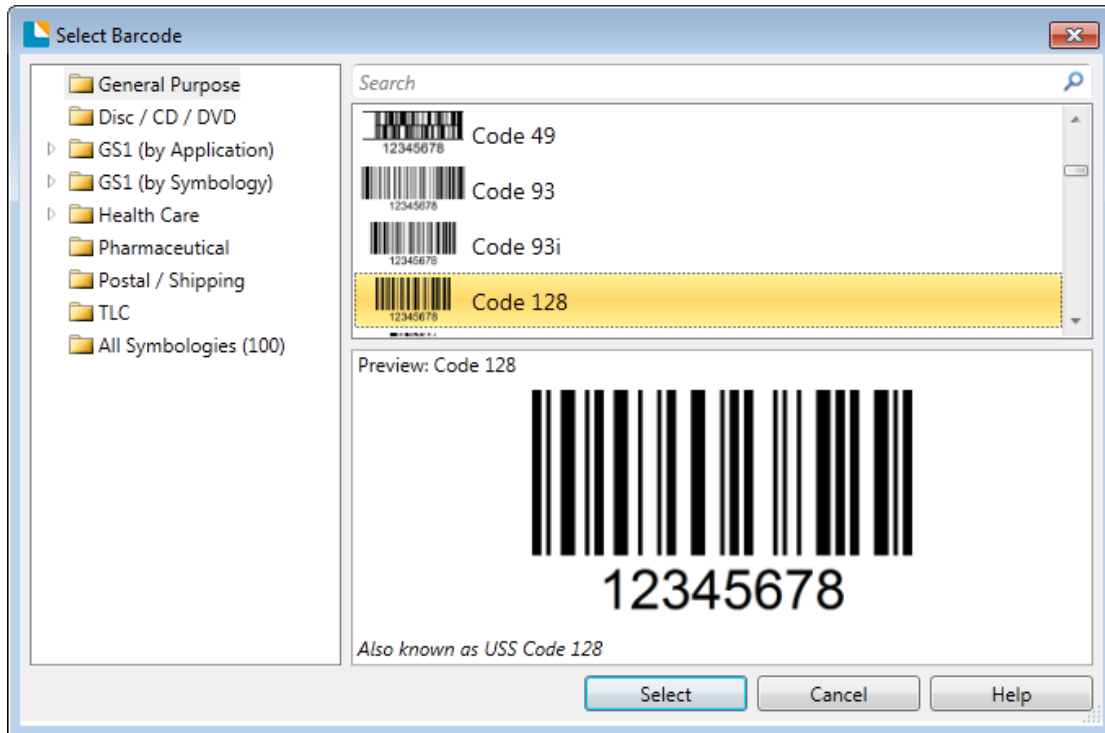
10. Finish the settings, showed in the “Review” and “Preview”. Then click “Finish”.



8.4.2 label Edit

1. Click the icon of code .

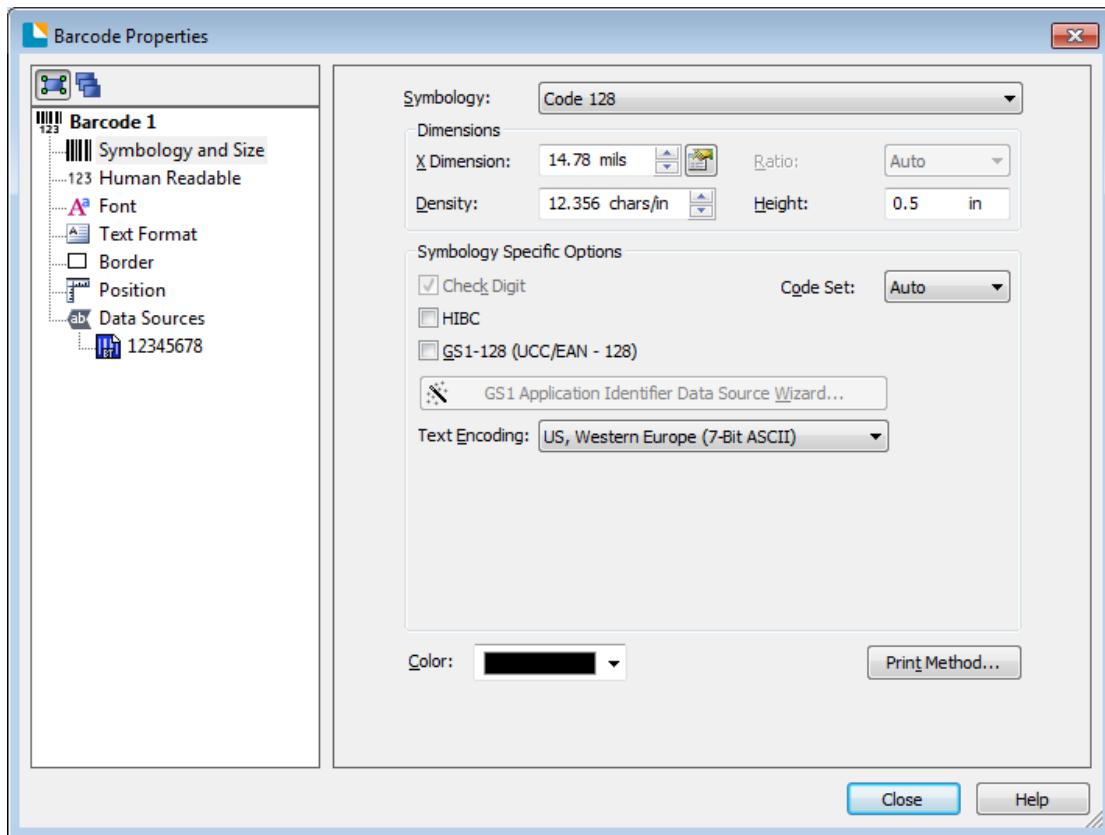
2. Choose the code, then click "Select".



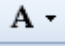
3. Click the blank, showing the code.



4. Double click the code and edit it. User can set up the size, font, border and so on.



Finishing the change, click "Close".

5. Click the icon of character , then enter the text.



6. Click the icon of picture , then edit the pictures.



7. Compose the text.



8. Finish all the settings. Click "Print" and a new label will be printed.