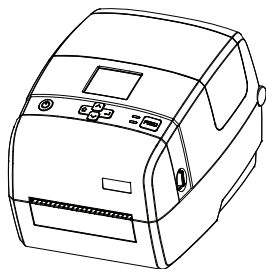
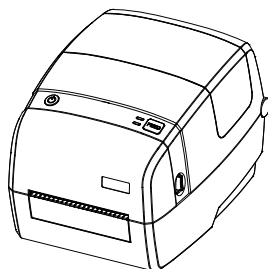


# Quick Start Guide

## iE4P

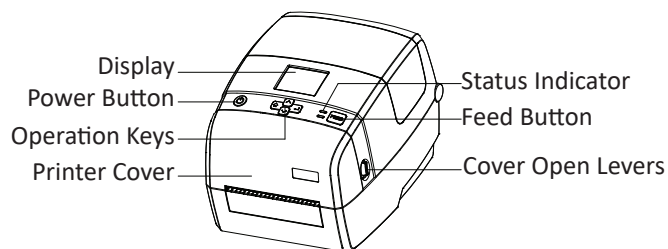


## iE4S

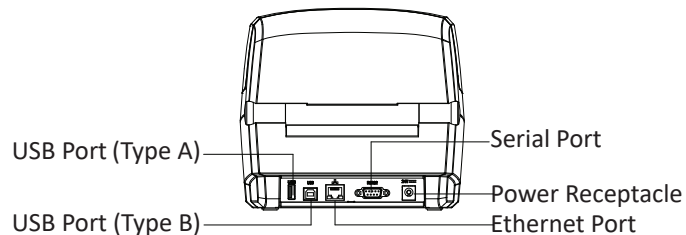


## Appearance and Components

### ■ Front View(eg.:iE4P)

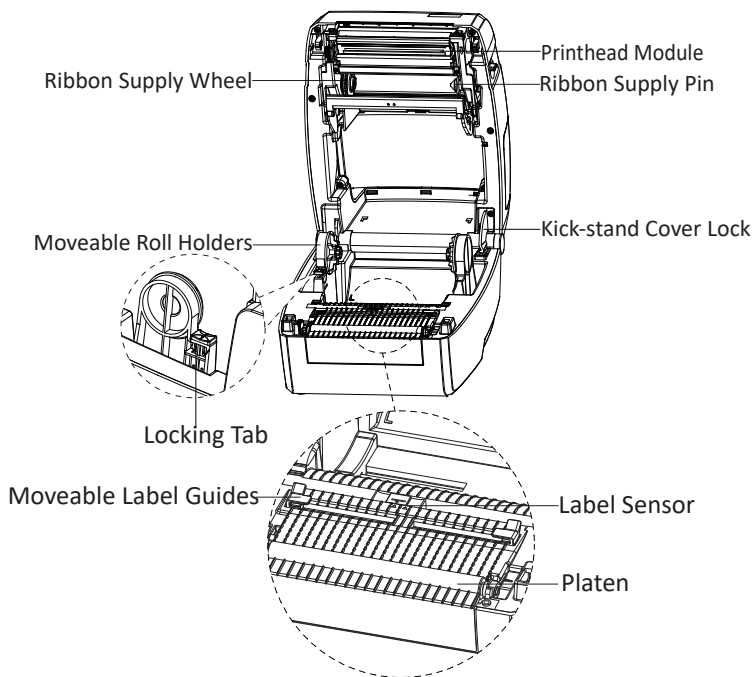


### ■ Rear View



**⚠ Note: The views above are for your reference. Ports vary by your choice.**

### ■ Inside View



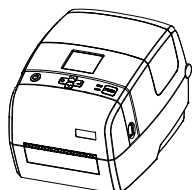
## Xiamen Hanin Electronic Technology Co.,Ltd.

ADD: 5F, 8#, Aide Airport Industrial Park, Huli District, Xiamen, China.

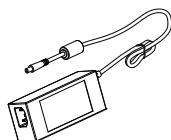
TEL: 400-806-9290

WEB: www.idprt.com

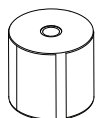
## Packing List



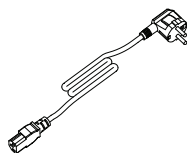
Printer(eg:iD4P)



AC Adapter



Label Roll



Power Cord



CD



Quick Start Guide



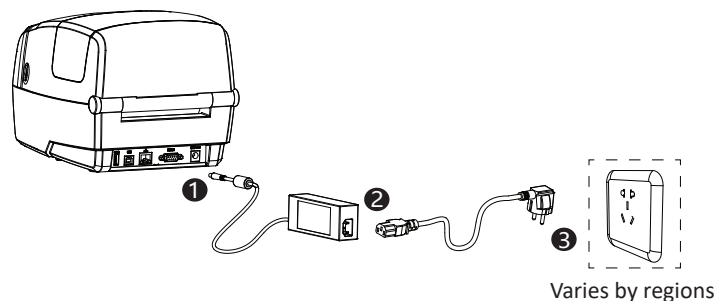
USB Cable



Ribbon

## USB Connection

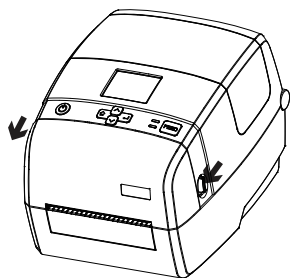
- 1.Connect the AC adapter to power receptacle.
- 2.Connect the power cord to AC adapter.
- 3.Connect the other end of power cord to the outlet.



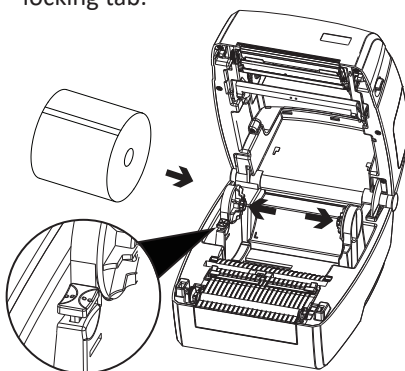
**⚠ Note: The packing materials are actually based on the order.**

## Loading the Media

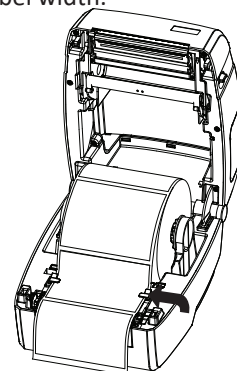
1. Pull and lift the cover. (eg:iE4P)



2. Pull the roll holders open and place the roll between them, then press down the locking tab.

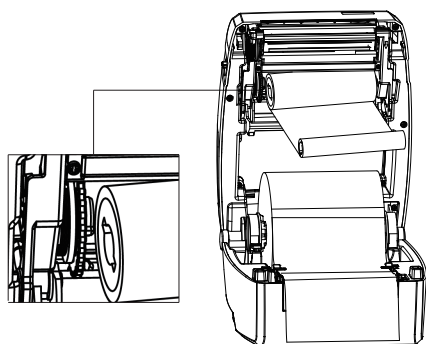


3. Pass the labels through label guides and adjust label guides to adapt to the label width.

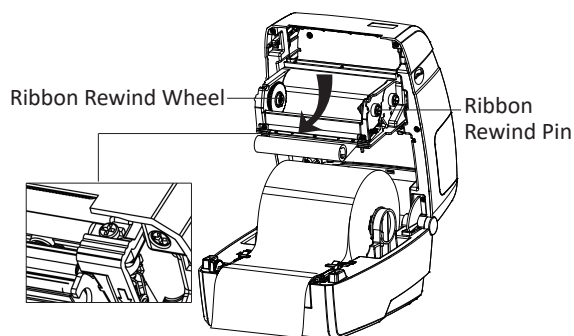


## Loading the Ribbon

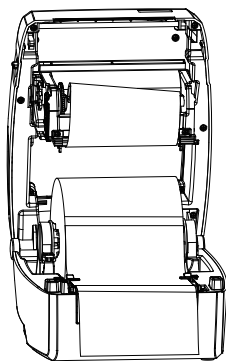
1. Insert the right part of supply spindle, then the left part.



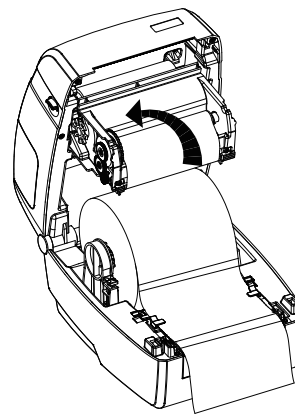
2. Press and release the printhead module.



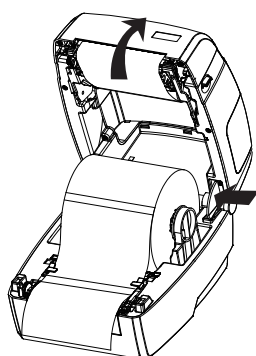
3. Insert the right part of rewind spindle and then the left part.



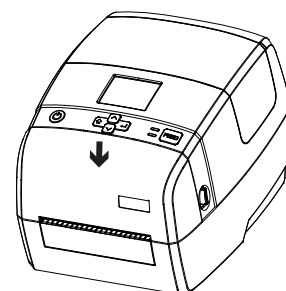
4. Rotate the ribbon rewind wheel until ribbon is pulled tightly.



5. Close the printhead module. Then press the lock and close the cover slightly.



6. Press down the cover until it snaps closed.



 **Note:** Please refer to windows driver installation in *iE4 Series User Manual*.