

Zebra® 110PAX4 170PAX4

Versatile, 4- and 6-inch-Wide OEM Print Engines



PAX4™ print engines deliver superior performance and reliability.

The 110PAX4 and the 170PAX4 print engines are the performance leaders in mission-critical print-and-apply applications. With increased throughput and enhanced connectivity, including wireless and Ethernet, along with all-metal construction and outstanding print quality, PAX4 print engines deliver outstanding value, reliability, and durability.

Better Than Ever for High-Volume Needs

With improved serviceability, faster first-label-out time, and a fully functional real-time clock, the PAX4 print engines deliver what it takes to make print-and-apply solutions super performers. European voltage requirements are now met with the 28V I/O option.

Real-time Connectivity and Control

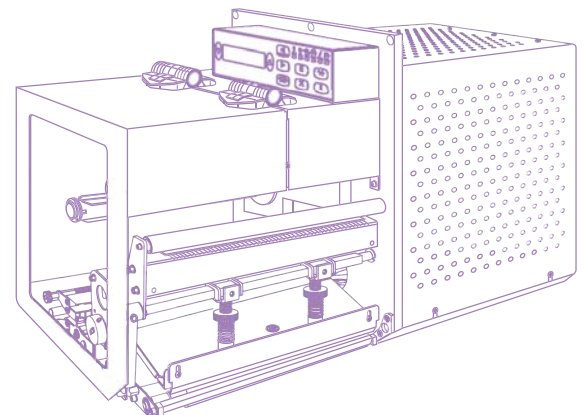
Reduce downtime and increase productivity. Using advanced ZebraLink™ Solutions, PAX4 print engines offer instant status alert messages and centralized control, allowing you to troubleshoot quickly and keep production lines moving.

802.11 b/g Wireless with Tethered Antenna

When equipped with ZebraNet Internal Wireless Plus, PAX4 supports the latest wireless security and authentication protocols. Featuring an integrated radio card, and a tethered antenna for added flexibility in maximizing wireless reception, PAX4 stays connected to keep your business moving forward.

Designed for high-speed, high-throughput applications, both the 110PAX4 (for 4-inch printing) and the 170PAX4 (for print widths up to 6 inches wide) are ideal for print/apply systems including:

- Mission-critical industrial applications
- High-volume product, carton, case, and pallet labeling
- Packaging





110PAX4 170PAX4

PAX4 OEM print engines are designed for high throughput, reliability, and network manageability, with easy integration into print & apply applications.

Specifications at a Glance*

110PAX4

PRINTER SPECIFICATIONS

Print width: 4.1"/104 mm

Print length:

Maximum non-continuous media: 39"/990 mm

Maximum continuous media: 100"/2540 mm

PHYSICAL CHARACTERISTICS

Width: 9.6"/245 mm

Height: 11.8"/300 mm

Depth: 16.4"/417 mm

Weight: 36.5 lbs./15.6 kg

MEDIA CHARACTERISTICS

Media width (label and liner):

.625"/16 mm to 4.5"/114 mm

Media thickness (label and liner):

0.0058"/0.148 mm to 0.010"/0.254 mm

MEDIA TYPES

Continuous, die-cut or black mark

RIBBON CHARACTERISTICS

Outside diameter: 4.0"/101.6 mm O.D

Standard length: 2,955/900 m

Ratio: Ribbon is recommended to be at least as wide as media

Ribbon setup: Ribbon wound coated-side out

Core I.D.: 1.0"/25.4 mm I.D. core

170PAX4

PRINTER SPECIFICATIONS

Print width: 6.6"/168 mm

Print length:

Maximum non-continuous media: 39"/990 mm

Maximum continuous media: 150"/3810 mm

PHYSICAL CHARACTERISTICS

Width: 9.6"/245 mm

Height: 11.8"/300 mm

Depth: 18.3"/465 mm

Weight: 35.5 lbs./16.1 kg

MEDIA CHARACTERISTICS

Media width (label and liner):

3.0"/76 mm to 7.1"/180 mm

Media thickness (label and liner):

.003"/0.076 mm to .012"/0.305 mm

MEDIA TYPES

Continuous, die-cut or black mark

RIBBON CHARACTERISTICS

Outside diameter: 4.0"/101.6 mm O.D

Standard length: 2,955/900 m

Ratio: Ribbon is recommended to be at least as wide as media

Ribbon setup: Ribbon wound coated-side out

Core I.D.: 1.0"/25.4 mm I.D. core

STANDARD FEATURES

Resolution: 203 dpi/8 dots per mm;

300 dpi/12 dots per mm

Memory: 10 MB DRAM; 2 MB non-volatile Flash

Print methods: Thermal transfer or direct thermal

Print Speed: 12"/305 mm per second (203 dpi)

8"/203 mm per second (300 dpi)

Media Sensors: Transmissive and reflective

Orientation: Right-hand or left-hand

Industrial all-metal construction

10 MB DRAM

2 MB non-volatile Flash Memory

Applicator interface

Multilingual backlit LCD

Enhanced Alert notification—monitors

printhead condition

Multi-level Element Energy Equalizer™ (E³) for

superior print quality

32-bit 133 MHz RISC processor

Zebra printer driver for Windows® 3.X and

Windows 95/98/NT/2000

Real-time clock

XML-Enabled printing

OPERATING CHARACTERISTICS

Environmental (Thermal Transfer)

Operating Temp. 40° F/5° C to 104° F/40° C

Storage Temp. -40° F/-40° C to 160° F/71° C

Operating Humidity: 20% to 95% non-condensing

R.H.

Storage Humidity: 5% to 95% non-condensing

R.H.

Electrical

Universal power supply with power-factor

correction 90-264 VAC, 48-62 Hz

Agency Approvals

UL-60950 3rd edition, CAN/CSA-C22.2 No 60950-00

3rd edition, FCC part 15 - Class A, ICES-003,

EN60950, EN55022-Class A, EN61000-6-2, VCCI,

CCC

RELATED PRODUCTS

Options and Accessories

PCMCIA cards

CompactFlash® cards

Linear PCMCIA cards available 8 MB and 32 MB

64 MB On-Board Linear Flash Memory

RFID Ready (110PAX4 only)

WGLA through Swiss 721

Firmware support for downloadable TrueType™

fonts

PC memory card

Additional fonts available

ZEBRALINK SOLUTIONS

Software

ZebraDesigner™ Pro

ZebraDesigner for XML

ZebraNet™ Bridge Enterprise

ZebraNet Utilities v 7.0

Zebra Universal Driver

ZBI-Developer™

Networking

ZebraNet® 10/100 Print Server

ZebraNet Internal Wireless Plus (available only in North America and the European Union)

ZebraNet Wireless Plus

Firmware

ZPL® II

Global Printing

XML-Enabled printing

APL™

Web View

Alert

ZBI 2.0™

COMMUNICATIONS AND INTERFACE CAPABILITIES

High-speed bi-directional parallel interface, Centronics® compatible.

High serial interfaces: RS-232C and RS422 with DB9F connector

RS-485 multi-drop capability

Configured baud rate (110 to 57.6 kB), parity, data bits, and stop bits

Applicator interface with DB15F connector

BAR CODE SYMBOLOGIES

Linear bar codes

Codabar, Code 11, Code 39, code 93, Code 128

with subsets A/B/C and UCC Case codes,

EAN-8, EAN-13, Industrial 2-of-5, Interleaved

2-of-5, IBST-128, Logmars, MSI, Planet Code,

Plessey, POSTNET, Standard 2-of-5, UPC-A,

UPC-E, UPC and EAN 2 or 5 digit extensions

2-Dimensional

Codablock, Code 49, Data Matrix, MaxiCode,

MicroPDF, PDF417, QR Code and TLC 39, Aztec

FONTS AND GRAPHICS

Fonts and Character Sets

Bitmap fonts A through H and GS symbols are expandable up to 10 times, height and width independent

Smooth scalable font Ø (CG Triumvirate™ Bold Condensed) is expandable dot-by-dot, height and width independent

Sets: IBM® Code Page 850 International

Characters

Contains UFST® from Monotype Imaging, Inc.

Graphic Features

Supports user-defined fonts and graphics—including custom logos

* Specifications subject to change without notice. ©2008 ZIH Corp. ZebraLink, ZebraNet, Element Energy Equalizer, E³, ZBI 2.0, ZBI-Developer, ZebraDesigner, and all product names and numbers are Zebra trademarks, and Zebra, the Zebra head graphic, ZebraNet, ZPL and ZPL II are registered trademarks of ZIH Corp. All rights reserved. CompactFlash is a registered trademark of SanDisk Corporation. TrueType is a trademark of Apple Computer, Inc. Centronics is a registered trademark of Centronics Data Computer Corporation. Windows is a trademark of Microsoft Corporation. CG Triumvirate is a trademark of Monotype Imaging, Inc. and may be registered in certain jurisdictions. IBM is a trademark or registered trademark of International Business Machines Corporation in the United States, other countries, or both. UFST is a registered trademark of Monotype Imaging, Inc. Unicode is a trademark of Unicode, Inc. All other trademarks are the property of their respective owners.



GLOBAL/AMERICAS HEADQUARTERS

Zebra Technologies Corporation
333 Corporate Woods Parkway
Vernon Hills, IL 60061-3109 U.S.A.

T: +1 847 793 2600 or

+1 800 423 0442

F: +1 847 913 8766

EMEA HEADQUARTERS

Zebra Technologies Europe Limited
Zebra House, Unit 14, The Valley Centre
Gordon Road, High Wycombe
Buckinghamshire HP13 6EQ, UK

T: +44 (0)1494 472872

F: +44 (0)1494 768251

ASIA-PACIFIC HEADQUARTERS

Zebra Technologies Asia Pacific, LLC
120 Robinson Road
#06-01 Parakou Building
Singapore 068913

T: +65 6858 0722

F: +65 6885 0838

www.zebra.com



An ISO 9001 registered company

GSA#: GS-35F-0268N

©2008 ZIH Corp. Printed in U.S.A.

#13391L Rev. 15 (5/08) 5M

OTHER LOCATIONS » USA California, Georgia, Rhode Island, Texas, Wisconsin EUROPE France, Germany, Italy, Netherlands, Poland, Spain, Sweden

ASIA-PACIFIC Australia, China, Japan, South Korea LATIN AMERICA Florida (USA), Mexico AFRICA/MIDDLE EAST India, Russia, South Africa, United Arab Emirates