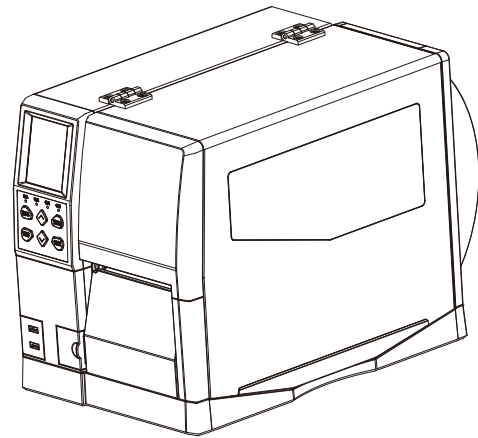


# Quick Start Guide

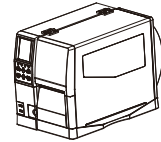
## iX4P

## iX4E

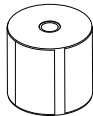


**Xiamen Hanin Electronic Technology Co.,Ltd.**  
ADD: 5F, 8#, Gaoqi Nan Shi'er Road, AideAirport Industrial Park,  
Xiamen, Fujian, China  
TEL: +86-(0)592-5935252  
WEB: www.idprt.com

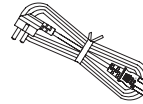
### Packing List



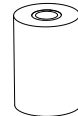
Printer



Label Roll



Power Cord



Ribbon



USB Cable

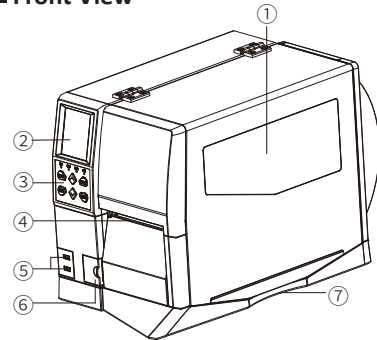


Quick Start Guide

**Note:** The packing materials are actually based on the order.

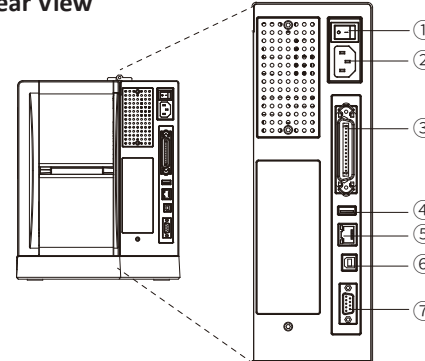
### Appearance and Components

#### Front View



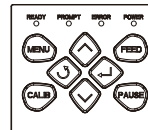
- ① Cover Assembly
- ② Display
- ③ Control Panel
- ④ Exit Slot
- ⑤ USB Host
- ⑥ Cover of Extend Ports
- ⑦ Cover Opening

#### Rear View



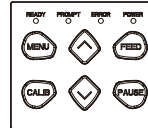
- ① Power Switch
- ② AC Power Port
- ③ Parallel Port
- ④ USB Host
- ⑤ Ethernet Port
- ⑥ USB B-type
- ⑦ Serial Port

#### iX4E Control Panel



- Menu** In standby, long press the menu operation function to enter the display
- Calibration** In standby or the error light slow flash, long press the *Start Label Learning*
- Feed** Much more detailed information please refer to the *iX4P/E User Manual*
- Pause** In Printing: short press to pause print, long press to clear current print task  
Printing Pause: short press to keep printing, long press to clear current print task

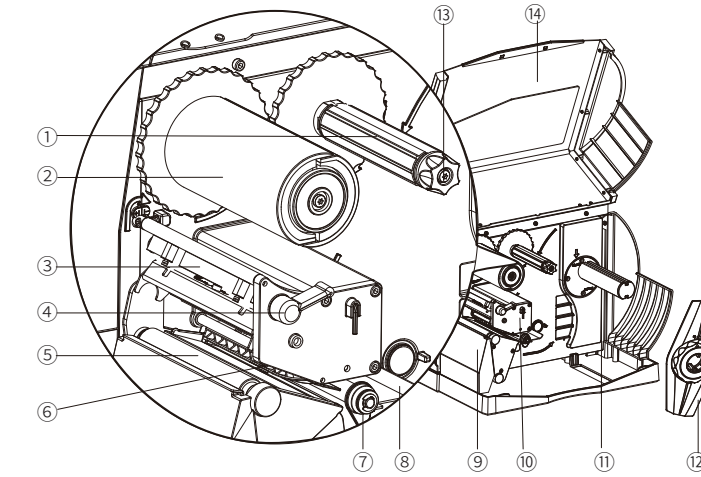
#### iX4P Control Panel



- Navigation** Only can be used with the display

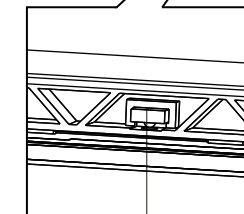
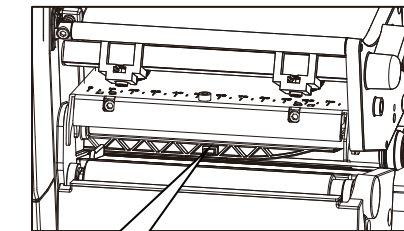
### Appearance and Components

#### Inside View (Take iX4E for example)

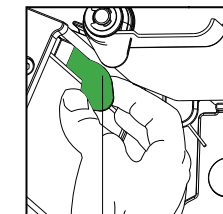


- ① Ribbon Supply Spindle
- ② Ribbon Take-up Spindle
- ③ Print Head Module
- ④ Print Head Lever
- ⑤ Platen Roller
- ⑥ Media Sensor
- ⑦ Media Adjusting Lever
- ⑧ External Media Guide
- ⑨ Filler Block
- ⑩ Print Mechanism
- ⑪ Media Supply Guide
- ⑫ Media Supply Spindle
- ⑬ Ribbon Latch
- ⑭ Cover Assembly

#### Print Mechanism

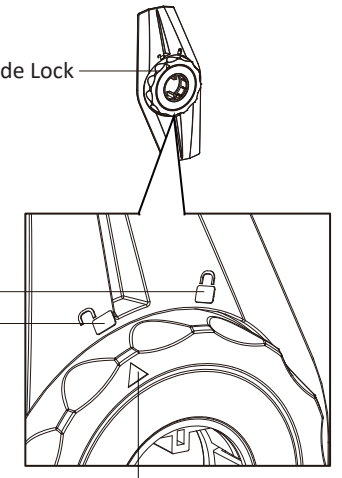


Media Sensor



Media Adjusting Lever

#### Media Guide Lock

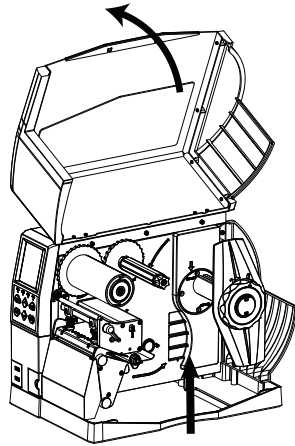


Arrow mark for Lock or Unlock

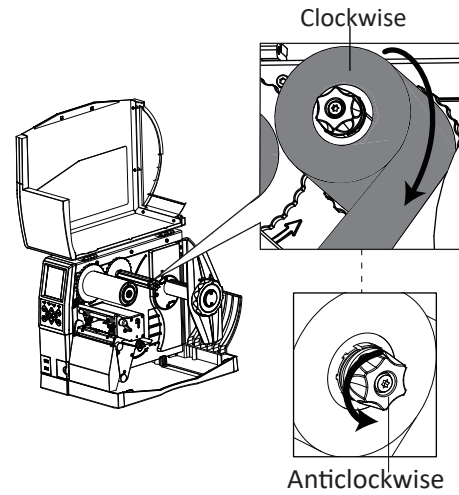
**Note:** The views above are for your reference. Ports vary by your choice.

## Loading the Ribbon

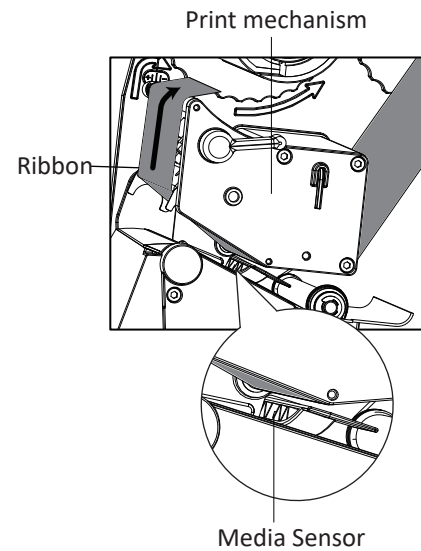
1. Place the printer on the flat table, lift the cover from the bottom-right of printer by hands.



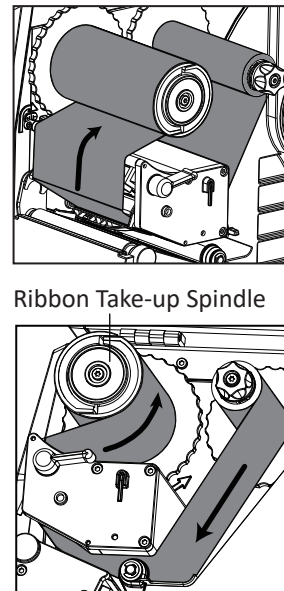
2. Load the out side ink ribbon into ribbon supply spindle, then anticlockwise tighten the ribbon latch to fix the ribbon.



3. Pull a part of ribbon, then pass the ribbon between the print mechanism and the media sensor.

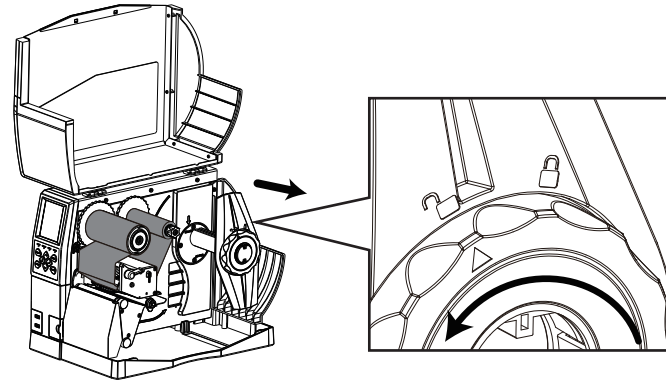


4. Pass the ribbon over the print mechanism and the ribbon take-up spindle, and then wrap it several turns around the ribbon take-up spindle.

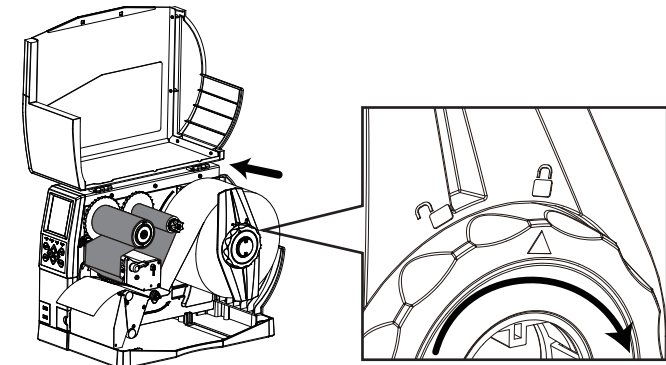


## Loading the Paper

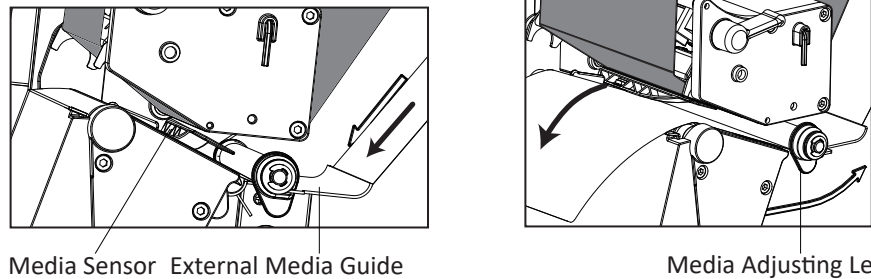
1. Rotate the arrow mark that locates in media guide lock of media spindle to unlocking position, then remove the media guide.



2. Mount a label roll onto the media spindle. Be sure to push the roll all the way aligned the inner wall of the printer. After the label roll be loaded, put the media guide back on the media spindle. Then rotate the arrow mark that locates in unlocking position to lock position so that it can be latched.



3. Pull out part of label and pass it under the external media guide and media sensor until it reaches the exit slot. Then slide the media adjusting level apart to adjust for the label width.

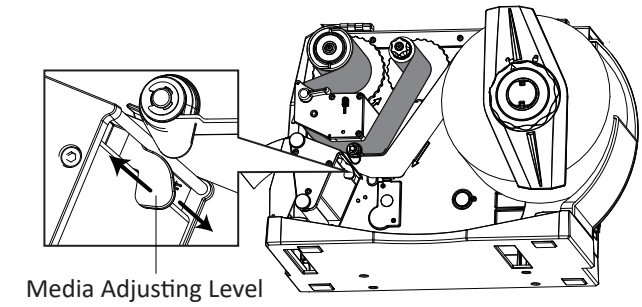


Media Sensor External Media Guide

Media Adjusting Level

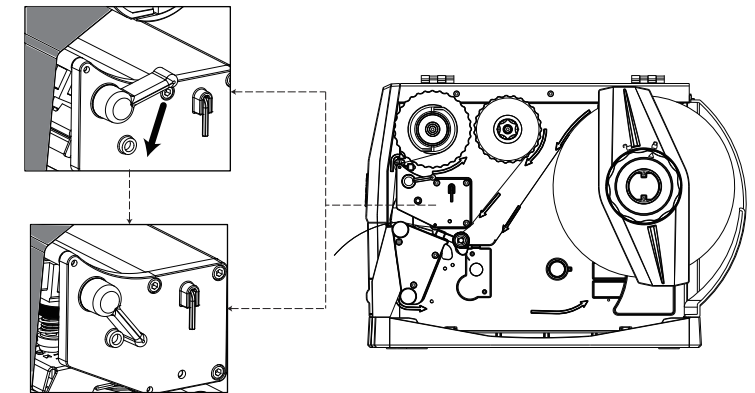
## Loading the Paper

4. When using the gap label, black mark label or punch hole label, you can manually adjust the media sensor by the adjusting level to find the gap, black mark or punch hole for the start printing position.



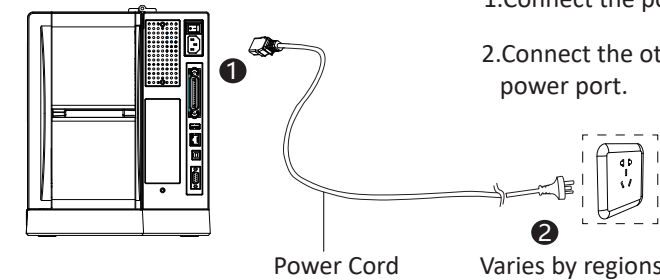
Media Adjusting Level

5. After finishing the label loading, turn down the print head lever to make ribbon and label fit snugly.



## Connecting the Power

1. Connect the power plug to power receptacle.
2. Connect the other end of power cord to the AC power port.



Power Cord

Varies by regions

**Note:** Please refer to windows driver installation in *iX4 Series User Manual*.